

## **SKS 4.0 Series Flat Collector**

**IN ROOF MOUNTING**  
**SOLAR THERMAL SYSTEMS**

For heating engineers

Please read carefully prior  
to commissioning and  
maintenance

**About this manual**

This installation manual contains important information for the safe and appropriate installation of the roof mounted solar collectors.

Notes are included with important information for situations in which there is no danger for persons or equipment.

These technical documents should be retained in a safe place. These may also be inspected at the manufacturer's premises.

The activities described in the installation manual assume expertise based on completed vocational training in gas or water-related installation. Only carry out these installation steps, if you possess these skills.

- Hand these installation instructions to the customer.
- Explain to the customer the function and operation of the related devices.

- 1 General information . . . . . 4**
- 2 Specifications . . . . . 5**
- 3 Safety . . . . . 6**
  - 3.1 Correct use . . . . . 7
  - 3.2 Notes structure . . . . . 8
  - 3.3 Please observe these safety instructions . . . . . 9
- 4 Before installation . . . . . 10**
  - 4.1 General notes . . . . . 10
  - 4.2 Component description . . . . . 11
  - 4.3 Other equipment . . . . . 13
  - 4.4 Transport and storage . . . . . 13
  - 4.5 Technical documentation . . . . . 14
  - 4.6 Determining space required on roof . . . . . 15
- 5 Roof preparations . . . . . 16**
  - 5.1 Determining the initial installation positions . . . . . 17
  - 5.2 Fitting additional roof battens . . . . . 18
- 6 Collector installation . . . . . 22**
  - 6.1 Preparing to install the collectors . . . . . 23
  - 6.2 Fastening the collectors . . . . . 25
- 7 Collector sensor connection . . . . . 28**
- 8 Header connection . . . . . 29**
  - 8.1 Venting through pressure filling . . . . . 29
  - 8.2 Venting through air vent (accessory) on roof . . . . . 30
- 9 Fitting the connection set for two rows (accessory) . . . . . 32**
- 10 Installing the facing collectorcollectors . . . . . 33**
  - 10.1 Lower facing collectors . . . . . 34
  - 10.2 Side facing collectors . . . . . 36
  - 10.3 Middle cover strip between two collectors . . . . . 36
  - 10.4 Middle facing collector (when more than one row is being installed) . . . . . 37
  - 10.5 Side facing collectors on the upper row (if installing more than one row) . . . . . 38
  - 10.6 Upper facing collectors . . . . . 38
  - 10.7 Covering the roof . . . . . 40
- 11 Final activities . . . . . 41**
  - 11.1 Checking the installation . . . . . 41
  - 11.2 Insulating the connection and header pipes . . . . . 41
- 12 Quick reference guide for two collectors . . . . . 42**

# 1 General information

This chapter details which technical rules and regulations apply to this installation.



## USER NOTE

Observe all standards and guidelines applicable to the installation and operation of this system in your country.

UK		
Installation work on roofs	Connection of thermalsolar thermal systems	Installation and equipment of DHW cylinders
The Health and Safety at Work etc Act 1974	EN 12976: Thermal solar thermal system and their components (pre-fabricated systems).	BS5546: 2000 Specification for installation of hot water supplies for domestic purposes, using gas-fired appliances of rated input not exceeding 70 kW.
The Management of Health and Safety at Work Regulations 1999	ENV 12977: Thermal solar thermal system and their components (bespoke systems).	BS6700:1997 Specification for design, installation, testing and maintenance, of servicing supplying water for domestic use within buildings and their curtilages.
The Construction (Health Safety and Welfare) Regulations 1996	BS 6795: Code of practice for solar thermal systems for swimming pools.	
The Construction (Design and Management) Regulations 1994		
The Lifting Operations and Lifting Equipment Regulations 1998		

Tab. 1 Technical rules for the installation of thermal solar thermal systems (selection) in UK

## Lightning protection

If the building height (installation height) exceeds 20 m, and there is no lightning conductor installed, ask your local electrical contractor to connect the components on the roof which conduct electricity with an electrical earth cable of at least 16 mm<sup>2</sup> to the earth bonding.

Special measures regarding lightning protection are not required for building heights (installation heights) of less than 20 m.



Where there is a lightning conductor system installed, ask your local electrical contractor to check the inclusion of the solar thermal system into the lightning protection system.



## USER NOTE

The installation of the thermal Solar System must be carried out in accordance with the relevant requirements for safety, current IEE wiring regulations, local building regulations, building standards (Scotland) (Consolidation) regulations and by-laws of the local water company and health and safety document No 635 (Electricity at Work Regulations 1989).  
BS 6795: Latest version

## 2 Specifications

SKS Series solar collectors		
Certificates		 
Length		2070 mm
Width		1145 mm
Height		90 mm
Clearance between collectors		25 mm
Fluid content, portrait version	$V_f$	1.43 l
Fluid content, landscape version	$V_f$	1.76 l
Gross absorber surface area	$A_G$	2.37 m <sup>2</sup>
Net absorber surface area		2.1 m <sup>2</sup>
Net weight, portrait version	$m$	46 kg
Net weight, landscape version	$m$	47 kg
Permissible operating pressure of the collector	$p_{max}$	10 bar

Tab. 2 Specifications

## 3 Safety

This chapter explains the meaning of the notes you will find in this manual and provides general safety instructions for safe and trouble-free operation.

The installation-specific safety and user notes next to the appropriate installation steps are found here.

Carefully read the safety instructions before commencing the installation.

Severe injury and even death, as well as material losses and environmental damage, may follow if you ignore safety instructions.

### 3.1 Correct use

This installation set holds the thermal solar collectors (portrait and landscape), which are installed on pitched roofs with a pitch angle of 25° to 65°.

#### Operating conditions

Only erect the installation set on roofs whose construction can support the weight. If necessary, consult a structural engineer or a roofer.

The installation set is suitable for a max. standard wind or snow load of 3,8 kN/m<sup>2</sup> and an installation height of max. 20 m.

### 3.2 Notes structure

Two levels are identified by signal terms:



**DANGER!**

#### RISK TO LIFE

Identifies possible dangers which might lead to serious injury or death if appropriate care is not taken.



**CAUTION!**

#### RISK OF INJURY/SYSTEM DAMAGE

Identifies potentially dangerous situations, which might lead to mild or slight injuries or to material losses.

Further symbols identifying dangers and user notes:



**DANGER!**

#### RISK TO LIFE

from electric shock.



#### USER NOTE

Tip for the optimum utilisation and setting of the products plus other useful information.



**CAUTION!**

#### RISK OF INJURY

Injury and operating faults can result from making changes to the system construction.

- Never change the system construction.



**CAUTION!**

#### RISK OF INJURY

Some parts may cause burns, if the collector and installation materials are exposed to solar radiation for longer periods of time.

- Always wear your personal protective clothing and safety equipment.
- Cover the collector (e.g. with a covering sheet – available as an accessory) and the installation material during the installation as protection against high temperatures resulting from solar irradiation.

### 3.3 Please observe these safety instructions



**DANGER!**

#### RISK TO LIFE

through a fall or falling parts.

- Ensure you have the correct safety equipment for working on roofs.
- Take appropriate action to prevent accidents when working on roofs.
- Whilst working on the roof, take all necessary precautions against a possible fall.
- Always wear your personal protective clothing and safety equipment.
- After completing the installation, always check the secure positioning of the installed set and that of the collectors.

## 4 Before installation

### 4.1 General notes



#### USER NOTE

It is recommended that the services of a roofing company, who are experienced in working on roofs and will be fully aware of the risks of working at height are considered.

Make yourself familiar with the on-site conditions and local regulations before commencing the installation.



#### CAUTION!

#### RISK OF INJURY

If the collector and its installation material is left exposed to the sunlight for a long period, the parts will become hot and may cause burns.

- Wear protective clothing.
- Cover the collector (e.g. with a covering sheet – available as an accessory) and the installation material during the installation as protection against high temperatures resulting from solar irradiation.

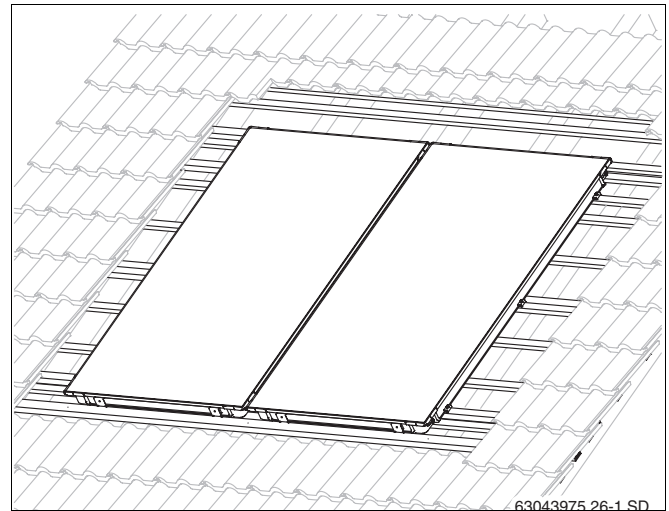


Fig. 1 General overview of collector pair – in roof mounting

#### Check

- the delivery for completeness and perfect condition.
- the optimum arrangement of the solar collectors. Take account of the direction of the sunlight (angle of inclination, southerly direction). Avoid the shade of high trees or structures and match the collector array to the shape of the building (e.g. aligned with windows, doors, etc.).



#### USER NOTE

Only use OEM components and replace any damaged or faulty parts immediately.



#### USER NOTE

Remove broken tiles, shingles or plates in the area of the collectors and replace them.



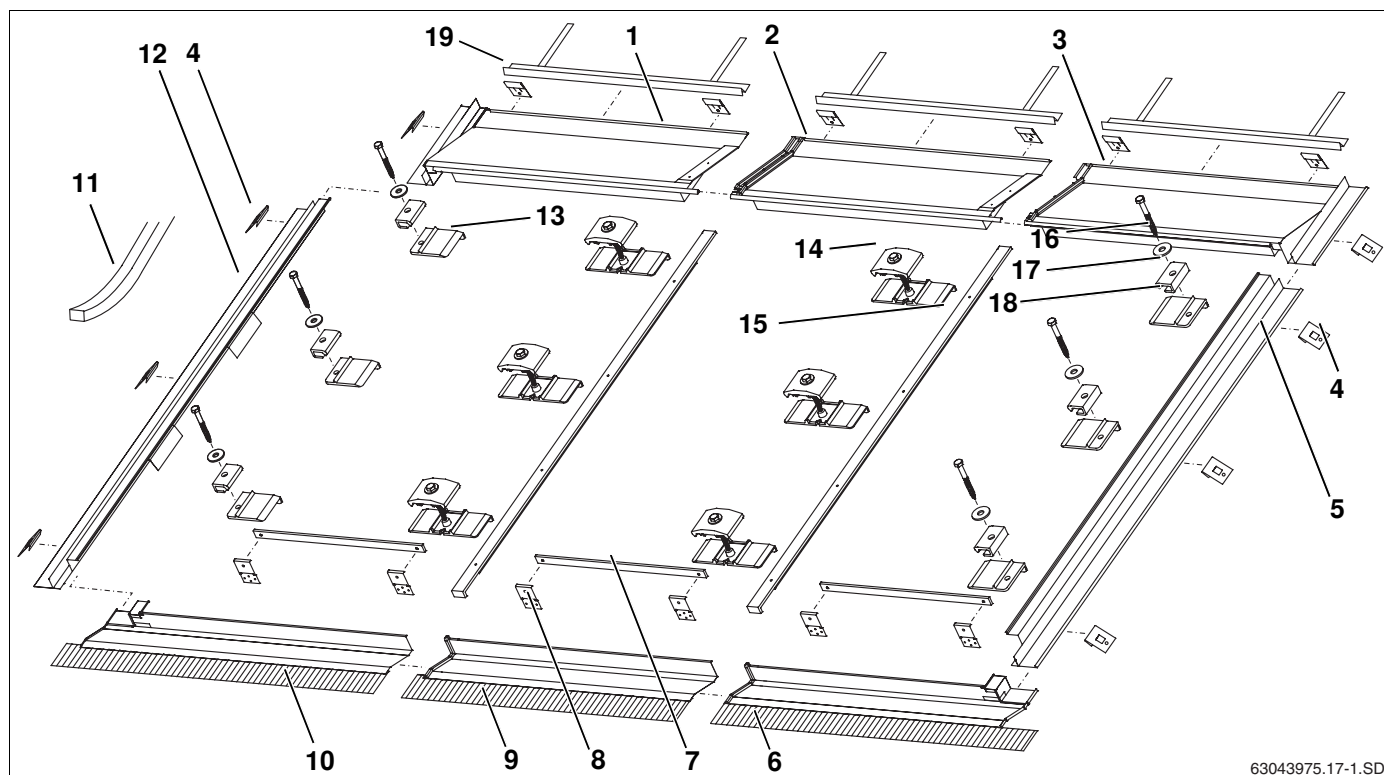
## 4.2 Component description

### 4.2.1 Installation set for the collectors

The installation sets are for fixing the collectors in place and sealing them.

The lower facing collectors (Fig. 2, **Item 6, 9 and 10**) are designed for slate/shingle roofs with no flashing.

If installing more than one row of collectors, basic and extended installation sets are delivered separately.



63043975.17-1.SD

Fig. 2 1 basic set for the outer collectors and 1 extended set for the middle collector (portrait, single row)

#### Basic installation set for both outer collectors in one row (Fig. 2):

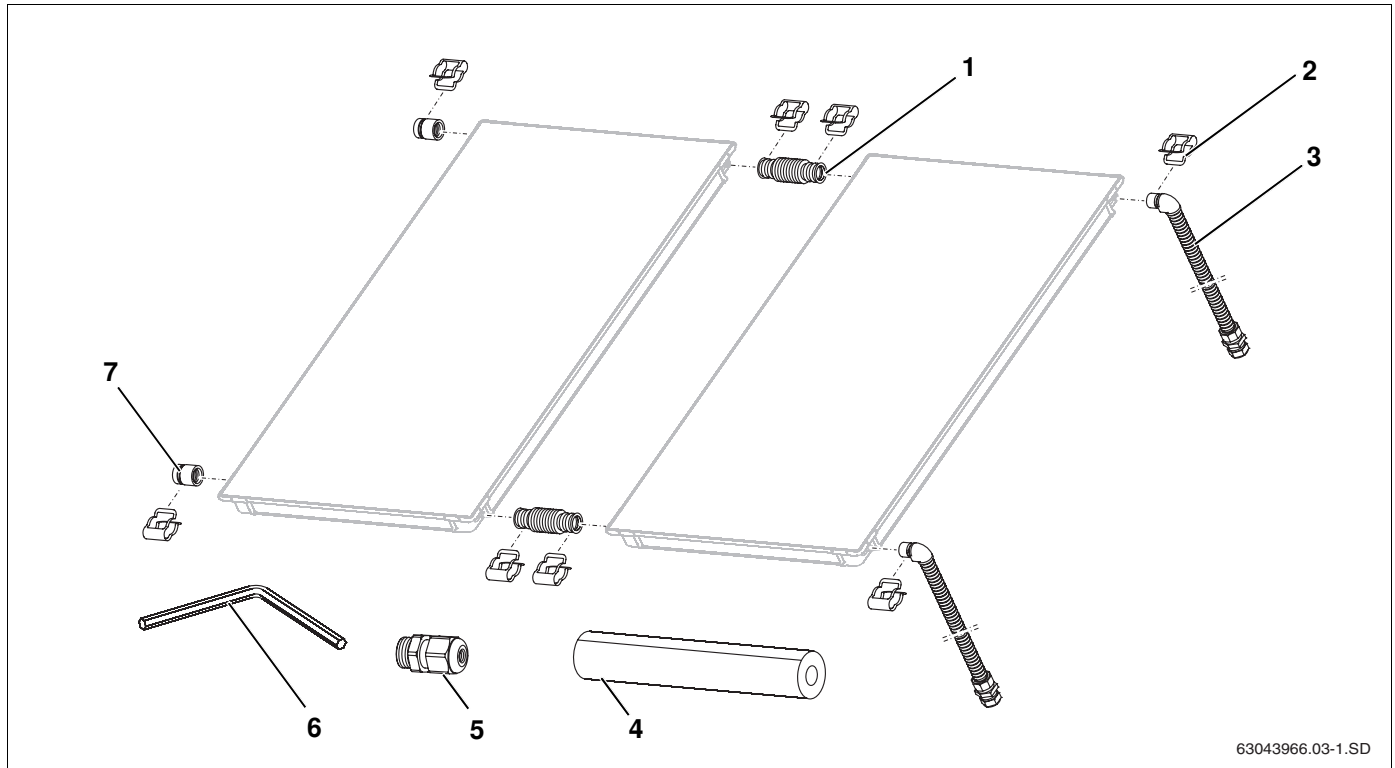
<b>Item 1:</b>	Upper left-hand facing collector	1 ×
<b>Item 3:</b>	Upper right-hand facing collector	1 ×
<b>Item 4:</b>	Clips	12 ×
<b>Item 5:</b>	Side facing collector, right	1 ×
<b>Item 6:</b>	Lower facing collector, right	1 ×
<b>Item 7:</b>	Anti-slip protection bar	2 ×
<b>Item 8:</b>	Anti-slip protection (x 6 for landscape collectors)	4 ×
<b>Item 10:</b>	Lower facing collector, left	1 ×
<b>Item 11:</b>	Roll of sealing tape	1 ×
<b>Item 12:</b>	Side facing collector, left	1 ×
<b>Item 13:</b>	Underlay plate, left	3 ×
<b>Item 14:</b>	Double-sided clamp	3 ×
<b>Item 15:</b>	Cover strip	1 ×
<b>Item 16:</b>	Screw 6×40 with washer	6 ×
<b>Item 17:</b>	Single-sided clamp	6 ×
<b>Item 18:</b>	Underlay plate, right	3 ×
<b>Item 19:</b>	Pan tile overlay	2 ×

#### Extended installation set for each additional collector (Fig. 2):

<b>Item 2:</b>	Upper middle facing collector	1 ×
<b>Item 4:</b>	Clips (4 spares)	6 ×
<b>Item 7:</b>	Anti-slip protection bar	1 ×
<b>Item 8:</b>	Anti-slip protection (x 3 for horizontal collectors)	2 ×
<b>Item 9:</b>	Lower facing collector, middle	1 ×
<b>Item 11:</b>	Roll of sealing tape	1 ×
<b>Item 14:</b>	Double-sided clamp	3 ×
<b>Item 15:</b>	Cover strip	1 ×
<b>Item 19:</b>	Pan tile overlay	1 ×

### 4.2.2 Pipework connections

For the pipework connection a connection kit and a connection set between the collectors will be required.



63043966.03-1.SD

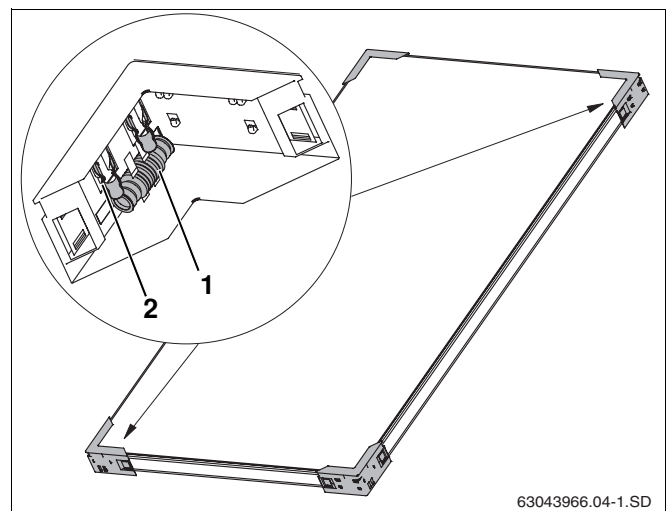
Fig. 3 Connection kit and connection set (illustration shows 2 portrait collectors)

#### Connection kit, per collector array (Fig. 3)

<b>Item 2:</b>	Pipe clip	2 ×	<b>Item 6:</b>	Size 5 spanner	1 ×
<b>Item 3:</b>	Connecting pipe (insulation not shown)	2 ×	<b>Item 7:</b>	End cap	2 ×
<b>Item 4:</b>	Insulation for corrugated pipe connector 710 mm	1 ×	<b>Item 8:</b>	Sensor bush plug, not shown	1 ×
<b>Item 5:</b>	Fitting for collector sensor	1 ×			

#### Connection set between the collectors, for each collector (in two corner protectors, Fig. 4)

<b>Item 1:</b>	Corrugated pipe connector	2 ×
<b>Item 2:</b>	Pipe clip	4 ×



63043966.04-1.SD

Fig. 4 Two corner protectors with one connection set

### 4.3 Other equipment

- Spirit level
- Plumb line
- Filling pump
- Vest harness with safety rope
- Pipe insulation
- Scaffolding
- Roofing ladder
- Crane or mobile hoist
- Cordless screwdriver and drill ( $\varnothing 4$  mm)
- Size 10 and 8 spanners (incl. 80 mm extension)

### 4.4 Transport and storage

**Please ensure that the corner protectors are retained. They contain pipework connection pieces which are required for installation.**

All components are protected by transport packaging.



#### USER NOTE

Dispose of the transport packaging in an environmentally friendly recycling system.

#### Transport protection for collector connections

The collector connections are protected against damage by plastic caps.



#### SYSTEM DAMAGE

through damaged sealing faces.

#### CAUTION!

- Do not remove the plastic caps (Fig. 5, **Item 1**) until immediately prior to installation.

#### Storage

The collectors must be stored in dry conditions.



#### USER NOTE

Do not store collectors outside without protection from the rain.

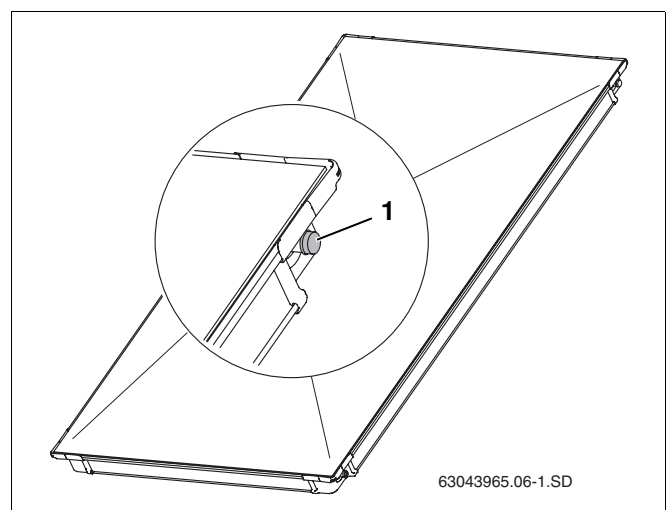


Fig. 5 Plastic caps on collector connections

## 4.5 Technical documentation

The solar thermal system consists of various components (Fig. 6). Installation, operation and maintenance documentation is provided for each component. Accessories may be accompanied by a separate document.

- Item 1:** Collector: instructions for in-roof installation are enclosed with the connection kit
- Item 2:** Pump station: instructions enclosed with the station
- Item 3:** Solar Controller: instructions are enclosed with the controller.
- Item 4:** DHW Cylinder: instructions enclosed with the DHW cylinder.

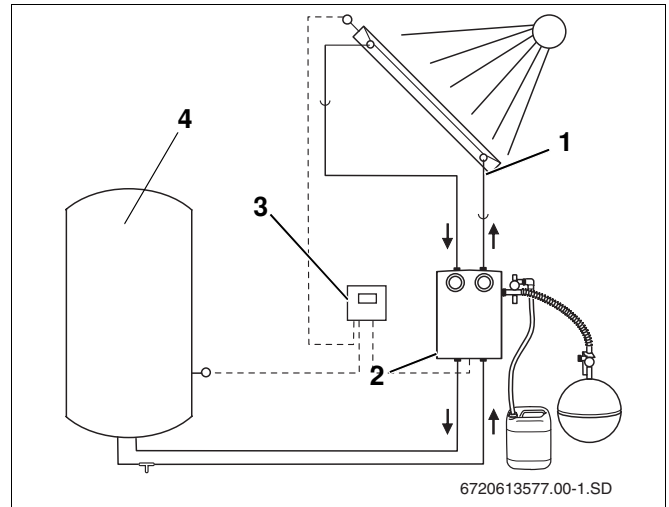


Fig. 6 Solar thermal system components and technical documentation

### 4.6 Determining space required on roof

Please note the following minimum space requirements.

#### Dimension A and B

Area required for the collector array, incl. facing collectors.

#### Dimension C

At least two tiles to the roof or chimney. Otherwise there is a risk of damaging the tiles, particularly if the tiles are laid in mortar.

#### Dimension D

Roof overhang including gable wall thickness.

#### Dimension E

Minimum 30 cm for fitting the connection cables in the attic.

#### Dimension F

Minimum 40 cm for fitting the connection cables in the attic.

Please note that the air vent must be the highest point of the system.

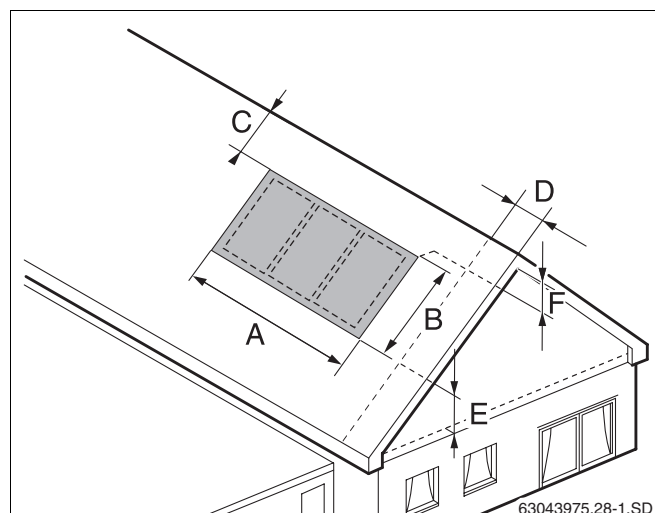


Fig. 7 Clearances to be observed

#### Space requirements for portrait collectors:

Number of collectors	Dimension A	Dim. B
2	2.67 m	2.80 m
3	3.84 m	2.80 m
4	5.01 m	2.80 m
5	6.18 m	2.80 m
6	7.41 m	2.80 m
7	8.52 m	2.80 m
8	9.69 m	2.80 m
9	10.86 m	2.80 m
10	12.03 m	2.80 m

Tab. 3 Space requirement for portrait installed collectors (incl. facing collectors all around)

#### Space requirements for landscape collectors:

Number of collectors	Dimension A	Dim. B
2	4.52 m	1.87 m
3	6.61 m	1.87 m
4	8.71 m	1.87 m
5	10.80 m	1.87 m
6	12.90 m	1.87 m
7	14.99 m	1.87 m
8	17.09 m	1.87 m
9	18.96 m	1.87 m
10	21.28 m	1.87 m

Tab. 4 Space requirement for landscape installed collectors (incl. facing collectors all around)

## 5 Roof preparations



**DANGER!**

### **RISK TO LIFE**

Whilst working on the roof, take all necessary precautions against a possible fall.



**DANGER!**

### **RISK OF INJURY**

through a fall or falling parts.

- Take appropriate action to prevent accidents when working on roofs.
- Always wear personal protective clothing and safety equipment.

## 5.1 Determining the initial installation positions

Before installation, carefully determine the initial positions.

### Initial horizontal position

- Determine dim. X (distance between the tiles that lie on the side facing collectors, Fig. 8, **Item 1**) on the roof and mark it on the roof.



#### USER NOTE

If possible, plan in such a way that the tiles are only cut on the right side of the collector array, but always in a tile trough. After cutting, at least half of the tile should still remain.

### Original vertical position

- Determine the lowest row of tiles (Fig. 8, **Item 2** taking dimension B into account (Fig. 8).



#### USER NOTE

If pan tiles need to be shortened, only cut the upper pan tiles.

Number Collectors	Dimension A		Dimension X	
	portrait	landscape	portrait	landscape
1	1.50 m	2.42 m	1.32 m	2.24 m
2	2.67 m	4.52 m	2.49 m	4.34 m
3	3.84 m	6.61 m	3.66 m	6.43 m
4	5.01 m	8.71 m	4.83 m	8.53 m
5	6.18 m	10.80 m	6.00 m	10.62 m
6	7.41 m	12.90 m	7.23 m	12.72 m
7	8.52 m	14.99 m	8.34 m	14.81 m
8	9.69 m	17.09 m	9.51 m	16.91 m
9	10.86 m	18.96 m	10.68 m	18.78 m
10	12.03 m	21.28 m	11.85 m	21.10 m

Tab. 5 Width of collector array, incl. facing collectors (dim. A) and distance between the tiles (dim. X)

Number of rows	Dim. B	
	portrait	landscape
1	2.80 m	1.87 m
2	5.02 m	3.17 m
3	7.25 m	4.47 m
4	9.47 m	5.77 m

Tab. 6 Height of collector array, incl. facing collector (dim. B)

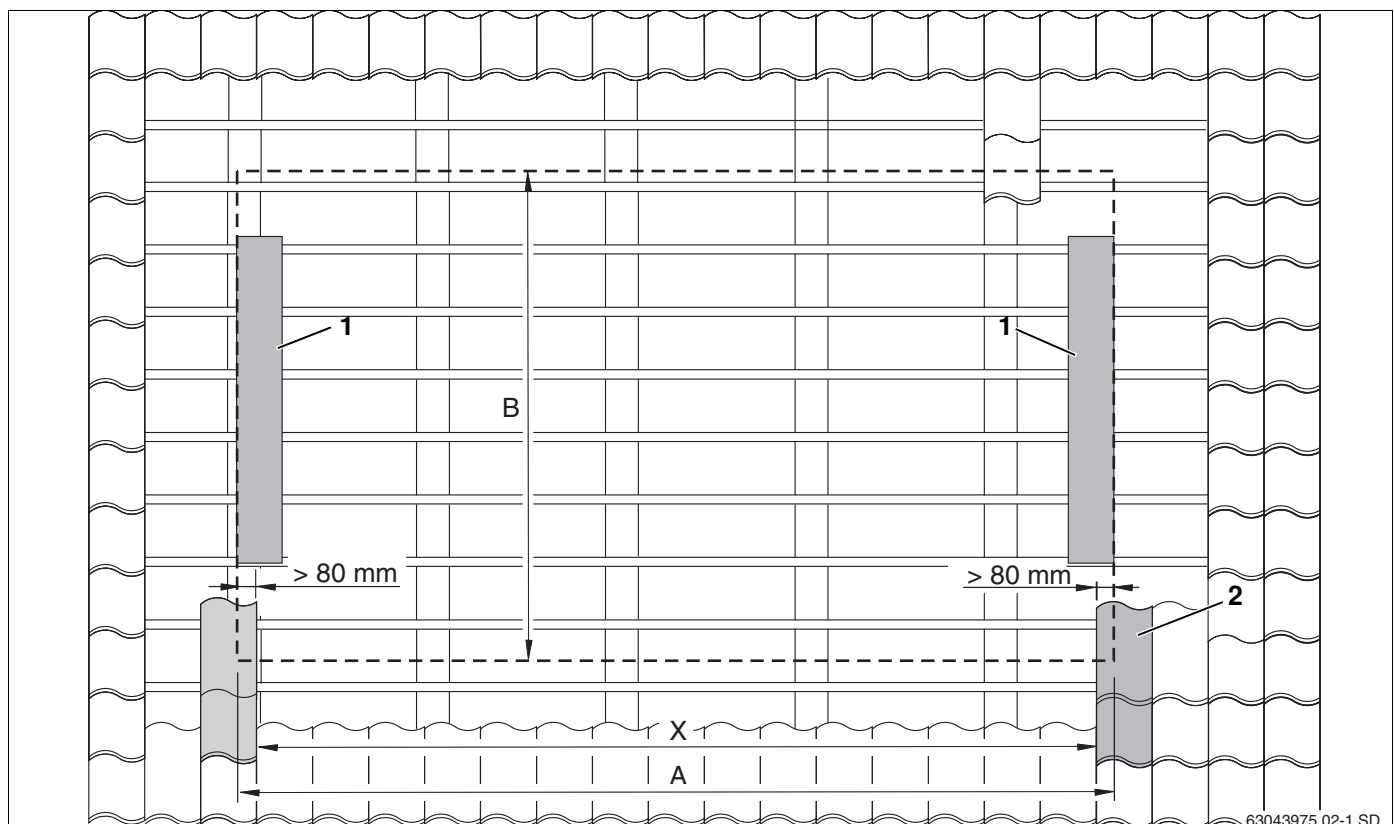


Fig. 8 Determining the exact position of the collector array

## 5.2 Fitting additional roof battens

When laying the facing collectors and collectors in place, there will have to be additional roof battens of equal height to those already on the building.



### USER NOTE

As an alternative to additional roof battens, those already present around the collector array area can be adjusted to the same dimensions as the additional roof battens.

These instructions describe installation using additional roof battens.

### Length of additional roof battens

The minimum length of the additional battens (Fig. 9, **Item 2**) is the width of the collector array (Table 5, page 15, dim. A) plus approx. 10 cm for the side clips (Fig. 9, **Item 1**).



### BUILDING DAMAGE

from leaks in the roof.

#### CAUTION!

- Fasten batten butt joints to the joist or ensure that they are adequately secure, e.g. by fastening them to the already existing roof battens (Fig. 9, **Item 3** and Fig. 13, **Item 2**).

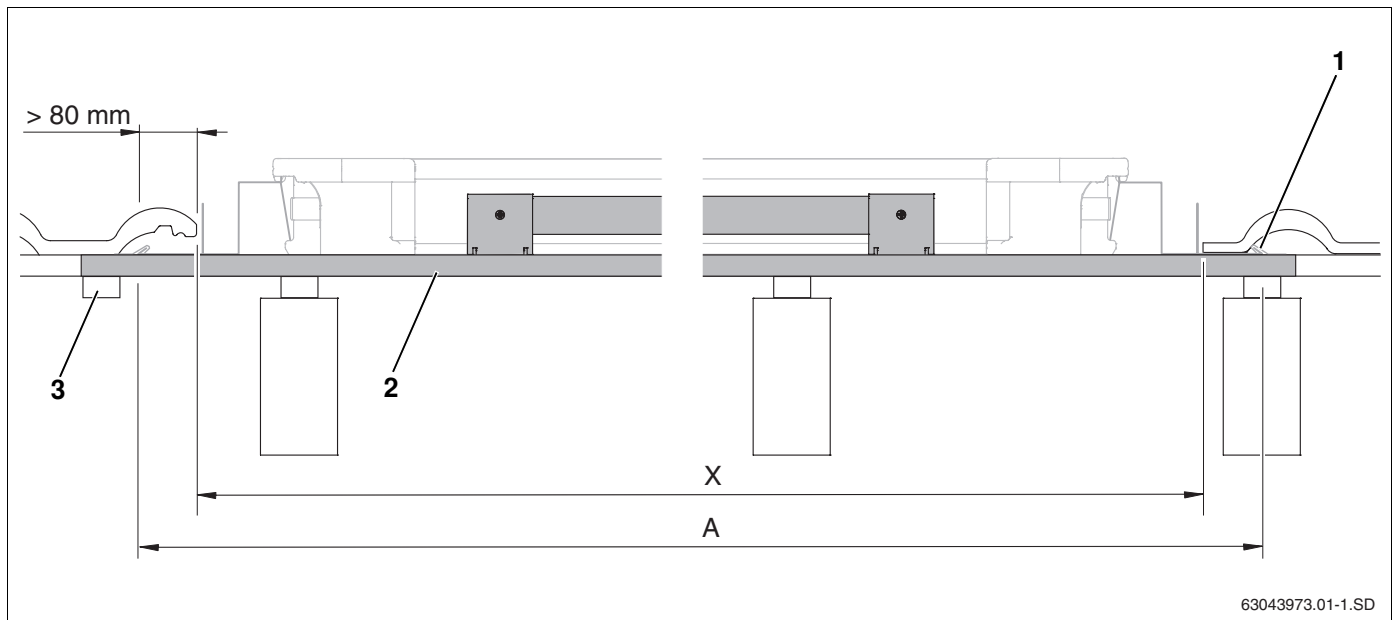


Fig. 9 Length of additional roof battens (here: first lower roof batten with anti-slip protection)

**Item 1:** Clip

**Item 2:** Additional roof battens

**Item 3:** Joining the additional roof battens



### 5.2.1 Fitting anti-slip protection devices to first additional roof batten

Due to limited space it may be possible for the anti-slip protection devices to be fitted directly on to the roof. If so they should be pre-assembled on the ground and fitted to the first additional roof batten.



#### USER NOTE

For landscape installation, 3 anti-slip protection devices (Fig. 10, **Item 1**) must be fastened to one strip of wood (2 on the outside, 1 in the middle).

- Fasten two anti-slip protection devices (Fig. 10, **Item 1**) to the end of the strip of wood provided, using screws 4×10 (Fig. 10, **Item 2**).
- Place pre-assembled anti-slip protection device to the first additional roof batten (Fig. 11, **Item 2**), and fasten using two screws 4×40 (Fig. 11, **Item 1**) (observe measurements).

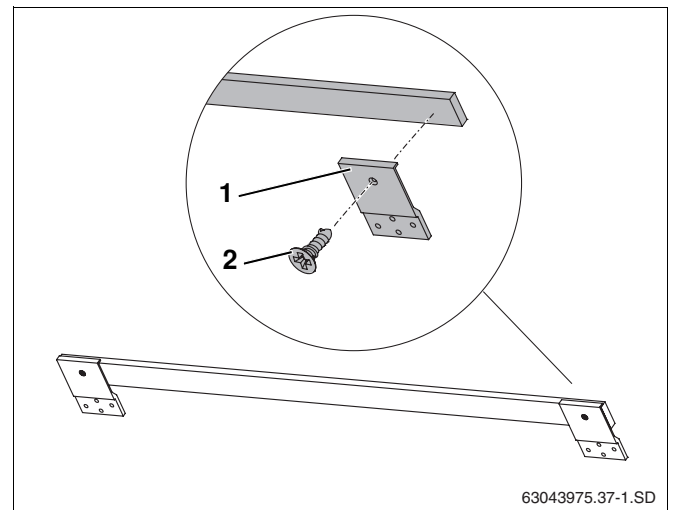


Fig. 10 Pre-assembling anti-slip protection devices with strip of wood

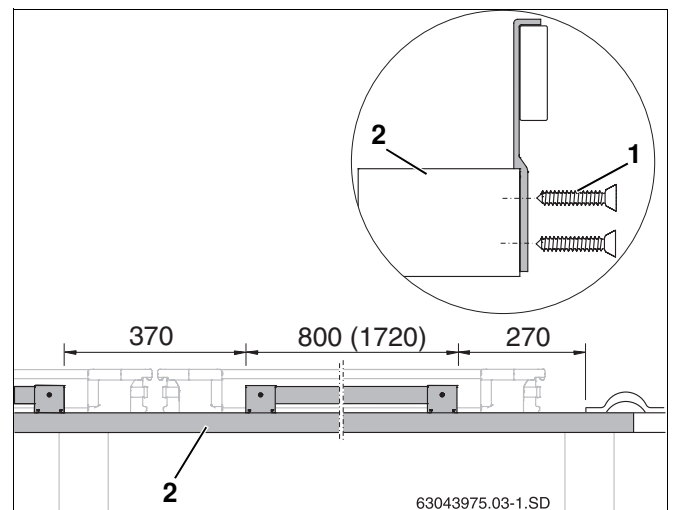


Fig. 11 Fasten anti-slip protection devices to roof batten (measurements in mm, value in brackets = horizontal version)

### 5.2.2 Fitting additional roof battens



#### BUILDING DAMAGE

from leaks in the roof.

#### CAUTION!

- If the joists are at different levels, they must all be levelled (Fig. 12).



#### USER NOTE

When fitting the roof battens, make sure they are level (use spirit level).

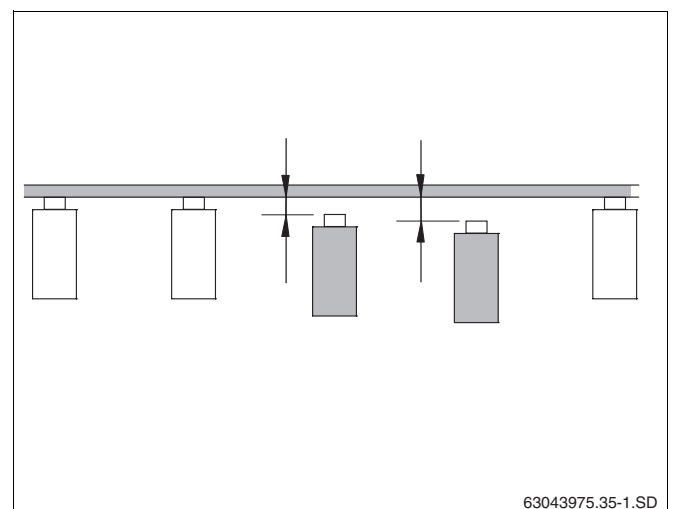


Fig. 12 Levelling the joists



**USER NOTE**

If an additional roof batten (Fig. 13, **Item 1**) has to be fitted near a pre-existing one, the pre-existing one must be moved near to the collector array (Fig. 13, **Item 3**) and adequately fastened (Fig. 13, **Item 2**).

The pan tiles on the side facing collectors **MUST** be covered.

**Installing one row**

- Attach first roof batten with the anti-slip protection devices (Fig. 14, **Item 1**).
- Attach second roof batten for the lower side clamp (Fig. 14, **Item 2**).
- Attach third roof batten for the upper side clamp (Fig. 14, **Item 3**).
- Attach fourth roof batten for supporting the polystyrene wedge of the upper facing collectors (Fig. 14, **Item 4**).
- Attach fifth roof batten for supporting the upper facing collectors (Fig. 14, **Item 5**).
- Attach sixth roof batten for supporting and fastening the upper facing collectors (Fig. 14, **Item 6**).

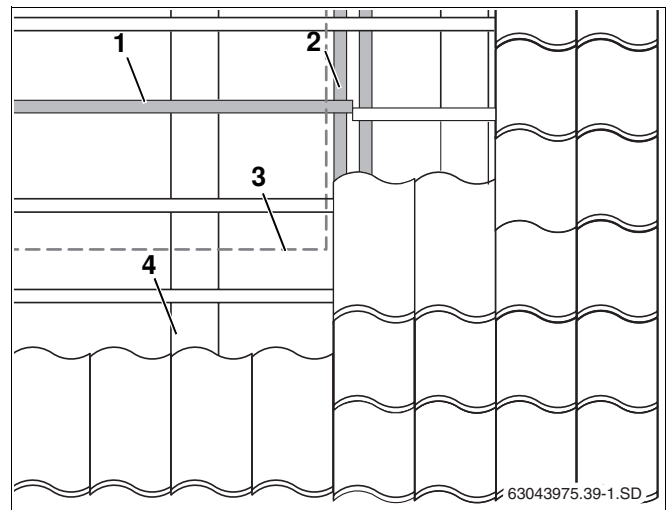


Fig. 13 Moving roof battens around the collector array area

**Item 1:** Moved roof batten

**Item 2:** Fastening for roof batten ends (counter batten)

**Item 3:** Collector array (outside)

**Item 4:** Joist

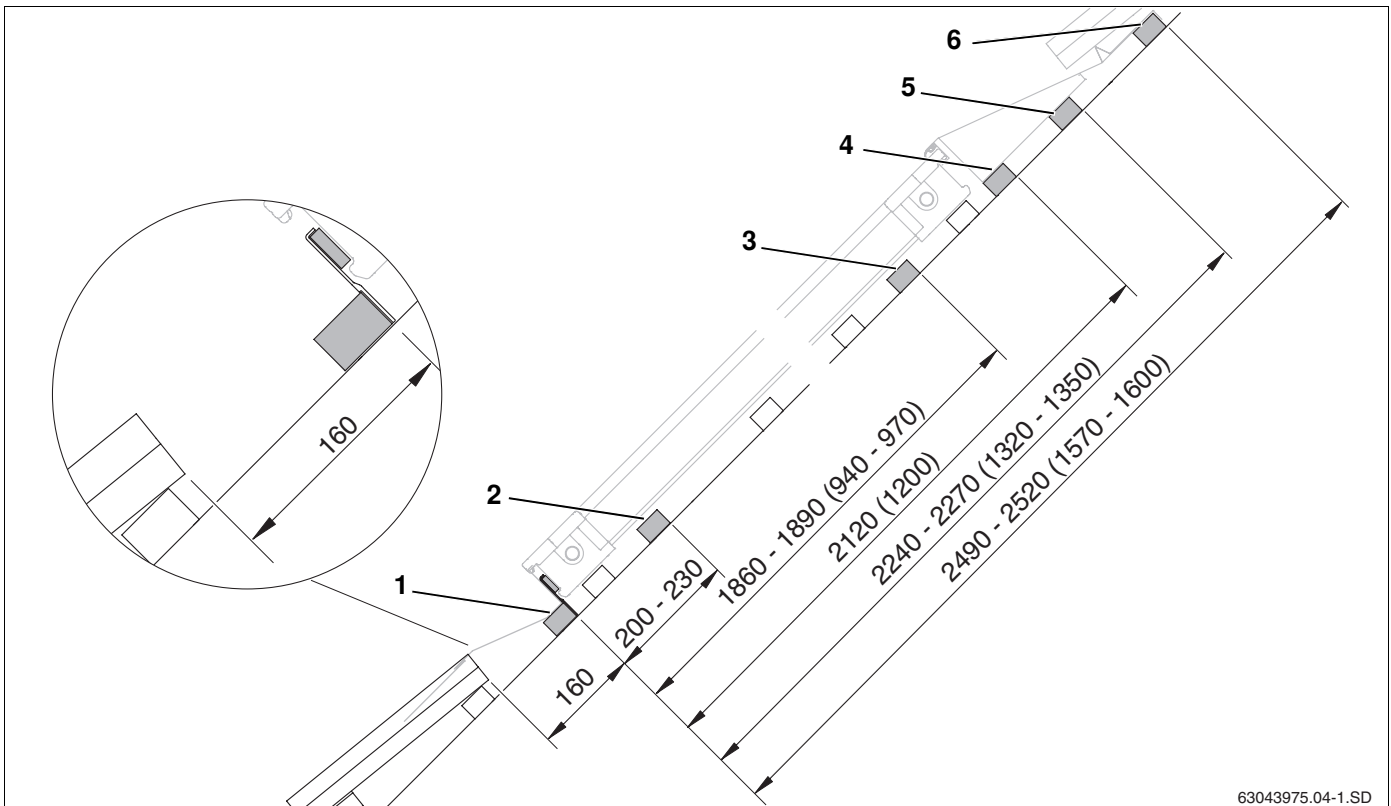


Fig. 14 Distances between additional roof battens when installing one row (measurements in mm, values in brackets = landscape version)

## Installing more than one row

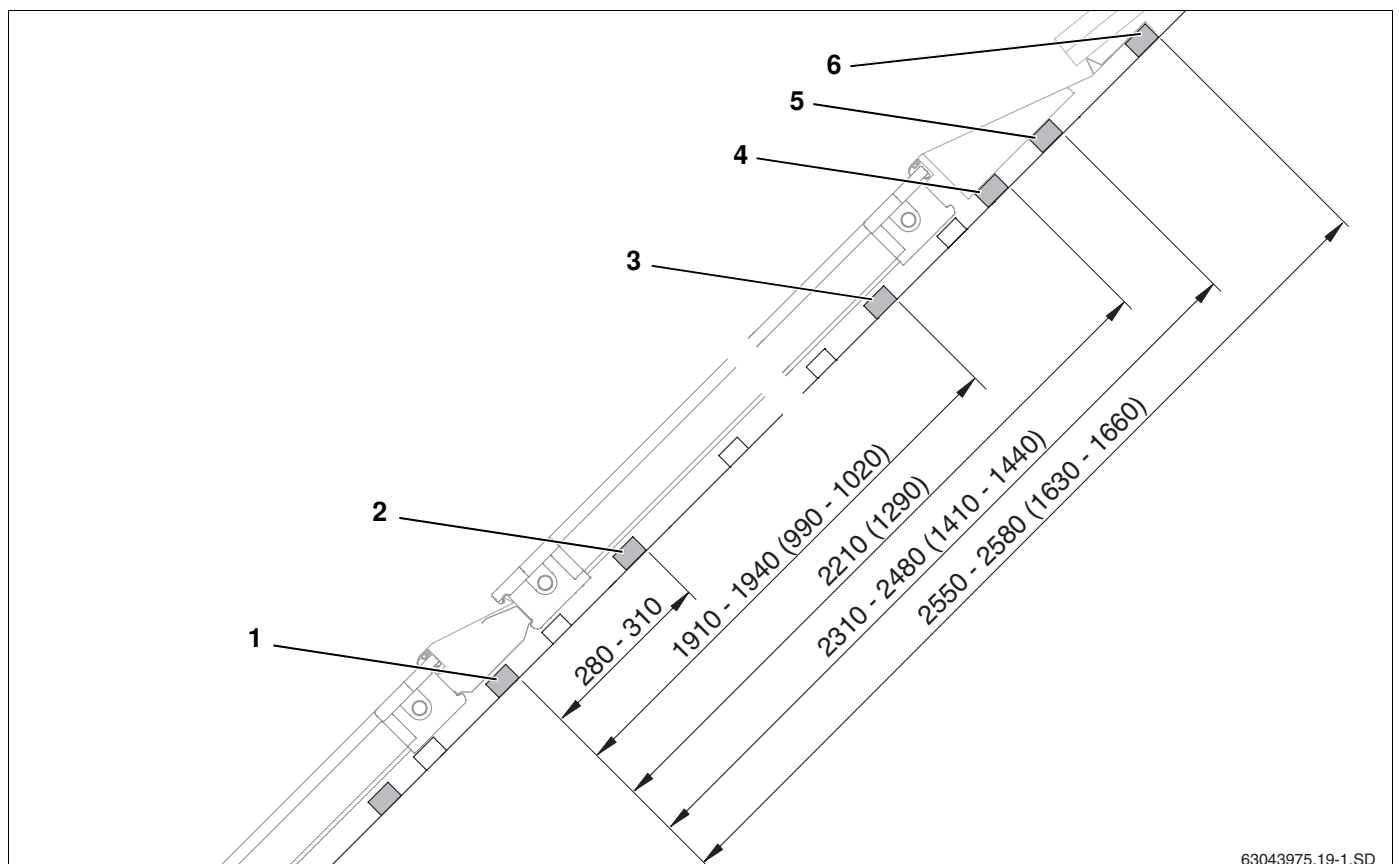
When installing more than one row, the roof battens in the first row must be laid just as if you were installing one row (Fig. 14). The 5th and 6th batten for the lower row are not needed.



### USER NOTE

The fourth additional roof batten (one-row installation) is also the first roof batten of the row above (Fig. 15, **Item 1**) and is required for anti-slip protection on the upper collector array.

- Attach second roof batten for the side clamp (Fig. 15, **Item 2**).
- Attach third roof batten for the upper side clamp (Fig. 15, **Item 3**).
- Attach fourth roof batten for supporting the polystyrene wedge of the upper facing collectors (Fig. 15, **Item 4**).
- Attach fifth roof batten for supporting the upper facing collectors (Fig. 15, **Item 5**).
- Attach sixth roof batten for supporting and fastening the upper facing collectors (Fig. 15, **Item 6**).



63043975.19-1.SD

Fig. 15 Distances between additional roof battens when installing more than one row (measurements in mm, values in brackets = landscape version)

## 6 Collector installation

Observe the following safety and user instructions when commencing the collector installation.



### RISK TO LIFE

through a fall or falling parts.

#### DANGER!

- Take appropriate action to prevent accidents when working on roofs.
- Whilst working on the roof, take all necessary precautions against a possible fall.
- Always wear your personal protective clothing and safety equipment.
- After completing the installation, always check the secure positioning of the installed set and that of the collectors.
- Ensure that the correct equipment is used for working on roofs.



### RISK OF INJURY

through interruption of work.

#### CAUTION!

- Secure the collectors against falling.
- Stabilise the collector array.



### USER NOTE

Use lifting equipment as used by roofing contractors or sufficient suction handles for the installation.



### USER NOTE

Unsecured collectors may fall during handling and installation.

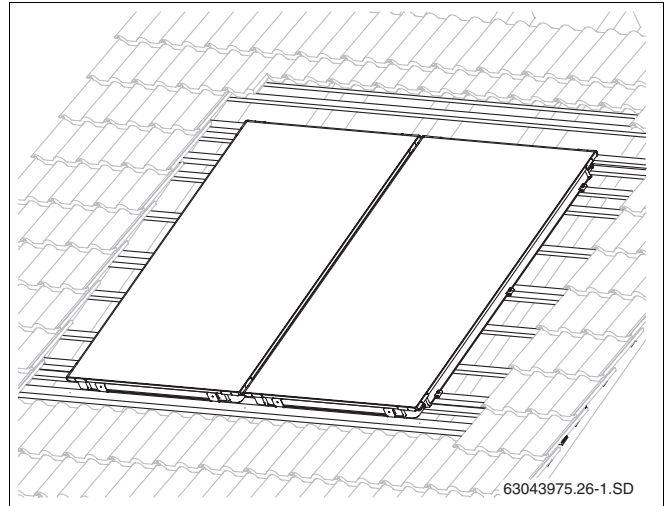


Fig. 16 Two fitted collectors

## 6.1 Preparing to install the collectors

Before beginning actual installation on the roof, fit the end caps to the collectors on the ground to make work on the roof easier.

To secure the end caps (and later the corrugated pipe connectors and connecting pipes as well), attach brackets to the connections.



### SYSTEM DAMAGE

through leaks in the collector connections.

### CAUTION!

The corrugated pipe connectors, connecting pipes and collector connections must not display any signs of damage or contamination.

- The collector connections have had special grease applied in the factory to make installation easier. Do not use any other grease.

### 6.1.1 Pipework connections

The collectors must be installed in such a way that the sensor bushes that receive the collector sensor (Fig. 18, **Item 1**) are at the top.



### USER NOTE

The water connection pipes can be connected on the right (Fig. 17) or left (Fig. 18). In this manual, the connection pipes are shown on the right.

The pipework in the collector is designed as a double meander, which enables you to carry out two different pipework connections:

#### single-sided connection of up to 5 collectors

Up to 5 collectors can be connected one side of a collector array (Fig. 17 and Fig. 18).

#### Two-way connection of up to 10 collectors

If there are more than 5 collectors installed in one collector array, the water connection must be two-way (Tichelmann principle, Fig. 19).

The two-way connection can also be made if there are fewer than 6 collectors (Fig. 19).

If more than 10 collectors are required then a further AGS pump station is required.

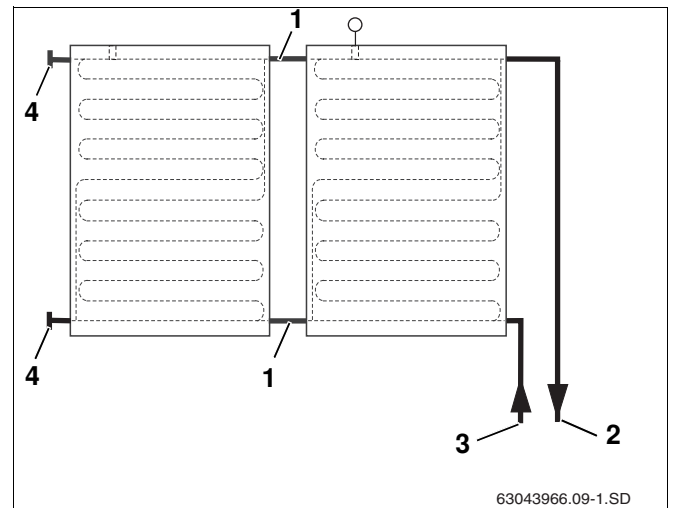


Fig. 17 Water connection (right) up to max. 5 collectors

**Item 1:** Corrugated pipe connector

**Item 2:** Flow line

**Item 3:** Return line

**Item 4:** End cap

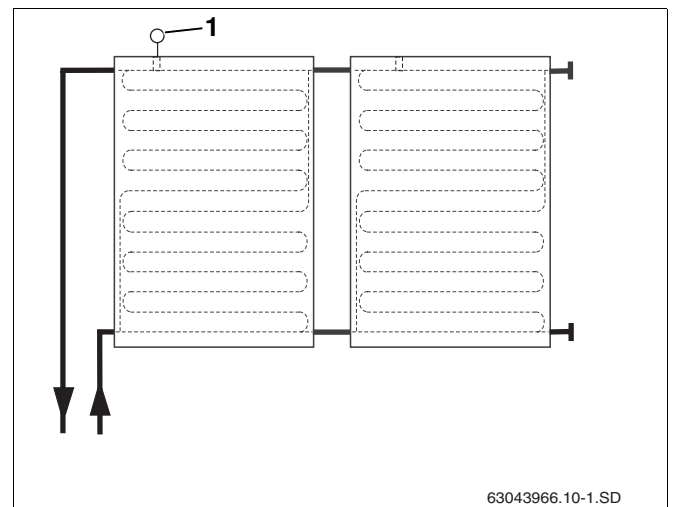


Fig. 18 Water connection (left) up to max. 5 collectors

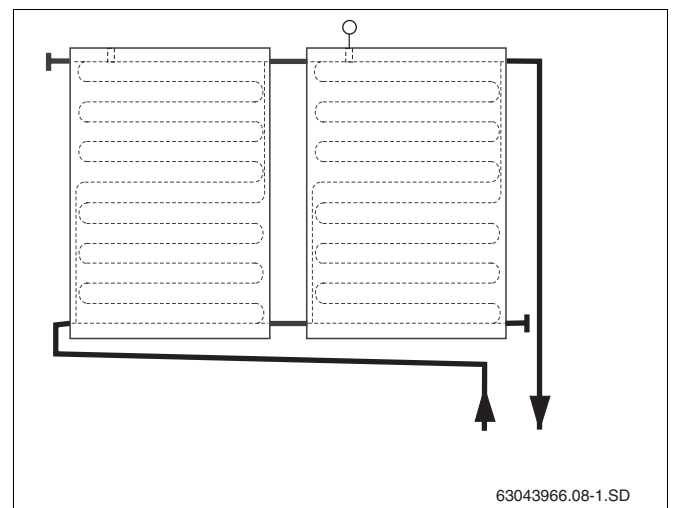


Fig. 19 Two-way pipework connections

### 6.1.2 Fitting the end cap

Not all the connections are needed when connecting a collector array. Those that are not used must be closed.

- Remove rubber caps (transport protection) from the relevant collector connections.
- Push end cap with the O-rings (Fig. 20, **Item 1**) onto the collector connection.
- Push bracket (Fig. 20, **Item 2**) over the end cap and collector connection to secure the connection.



#### SYSTEM DAMAGE

from unsecured locking caps.

#### CAUTION!

- Secure each locking cap with a bracket (Fig. 20, **Item 1**).

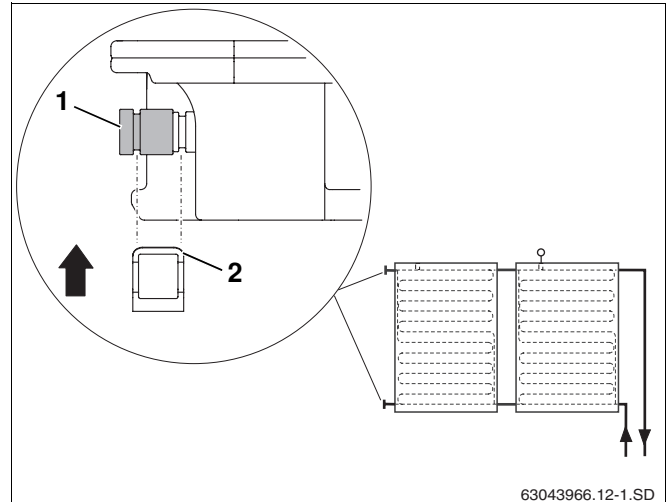


Fig. 20 Securing end cap with bracket

### 6.1.3 Inserting sealing tape in collector frame

The connections between the side and lower facing collectors and the collectors (Fig. 21, **Item 1**) must be sealed with the sealing tape.

- Clean the recessed channel on the collector.
- Remove protective film from the sealing tape
- Insert sealing tape (Fig. 21, **Item 2**) adhesive side first into the recessed channel on the outer edges of the outer collectors and at the bottom of every collector (Fig. 21, **Item 1**) incl. the corner connector (Fig. 21, **Item 3**).

The sealing tape slowly swells after installation.

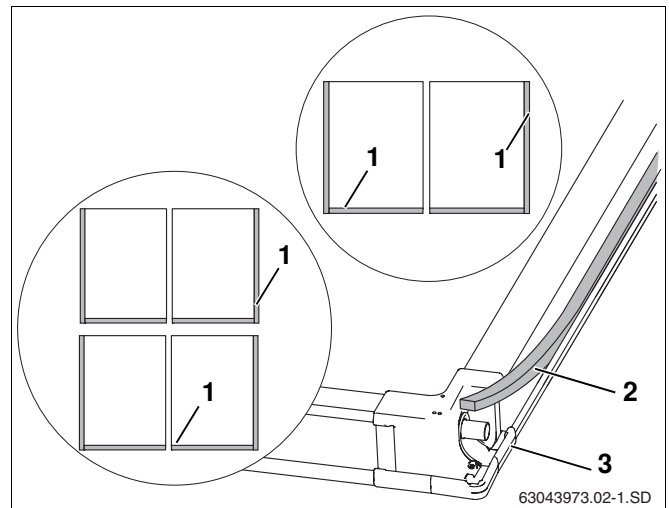


Fig. 21 Back of the collector

## 6.2 Fastening the collectors

Begin laying the collectors on the right-hand side.

### 6.2.1 Laying first collector

- Allow first collector (Fig. 22, **Item 1**) to slide into place in the anti-slip protection device and position 80 mm from the outer (cut if necessary) pan tile (Fig. 22, **Item 2**).
- Lift collector slightly and, on the 2<sup>nd</sup> and 3<sup>rd</sup> additional battens, as well as halfway along the collector on a free batten, push the right-hand pack plates (Fig. 23, **Item 3**) under the collector until the roof pushes against the lower edge of the collector.
- For the screw (Fig. 23, **Item 1**) drill a pilot hole with a 4 mm drill.
- Fasten the single-sided clamps (Fig. 23, **Item 2**) with a 6x40 screw (Fig. 23, **Item 1**) and washer (use size 10 spanner).

The clamp now grips into the lower edge of the collector.

- Lift collector slightly and, on the 2<sup>nd</sup> and 3<sup>rd</sup> additional battens, as well as halfway along the collector on a free batten, push the pack plate (Fig. 24, **Item 2**) with the double-sided clamp under the collector until the roof pushes against the lower edge of the collector.
- For the screw (Fig. 24, **Item 1**) drill a pilot hole with a 4 mm drill. To mark position, use notch in the pack plate.



#### USER NOTE

Do not tighten the screw until the second collector has been pushed up against the double-sided clamp.

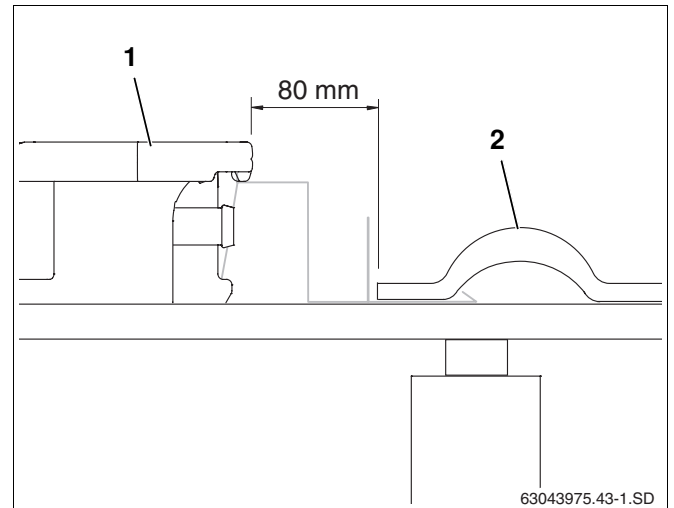


Fig. 22 Laying first collector and screwing in place

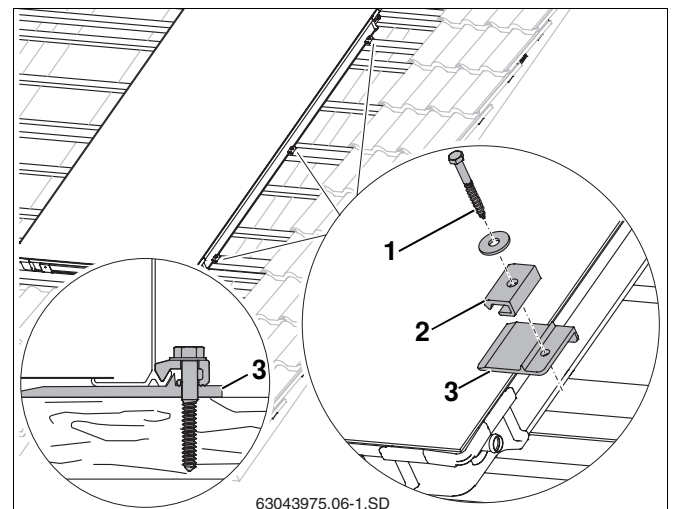


Fig. 23 Laying first collector and screwing in place

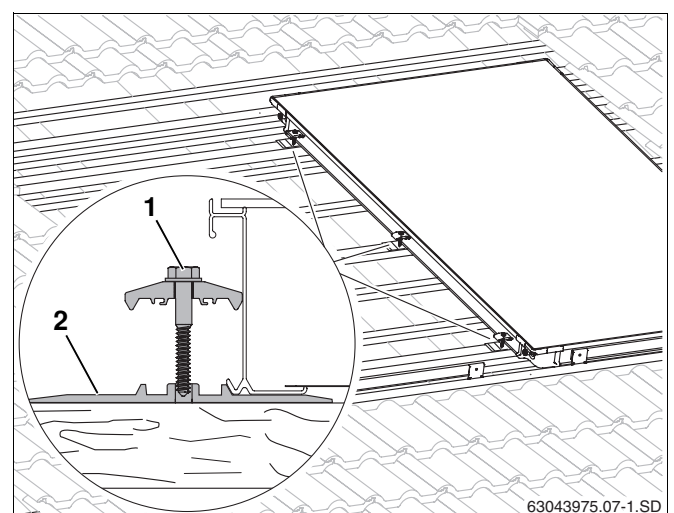
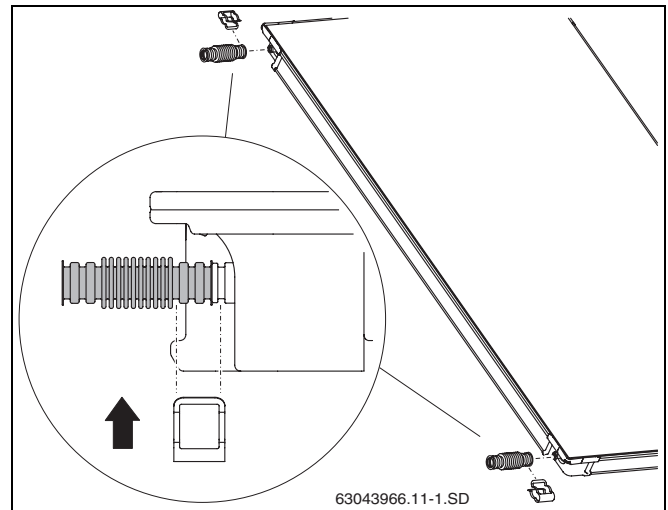


Fig. 24 Double-sided clamp on the first collector

### Fitting corrugated pipe connectors to the first collector

- Remove the rubber caps from the connections.
- Push corrugated pipe connectors (Fig. 45, **Item 1**) onto the left-hand connections on the first collector.
- Push bracket (Fig. 45, **Item 2**) over the corrugated pipe connector and collector connection to secure the connection.



### Putting the second collector in place

- Place the second collector onto the profile rails and allow it to slide into the anti-slip protectors.



CAUTION!

#### SYSTEM DAMAGE

through damaged corrugated pipe connectors.

- Do not use any tools, e.g. pliers (Fig. 25, **Item 2**). These could render the corrugated pipe connector unusable.

- Push the second collector on to the first in such a way that the collector connections are pushed into the preassembled corrugated pipe connectors (Fig. 25, **Item 1**) on the first collector.
- Place second bracket (Fig. 25, **Item 3**) over the corrugated pipe connector and collector connection.



CAUTION!

#### SYSTEM DAMAGE

through unsecured corrugated pipe connectors and end caps.

- Secure each end cap with one bracket and each corrugated pipe connector with two brackets (Fig. 26, **Item 1**).

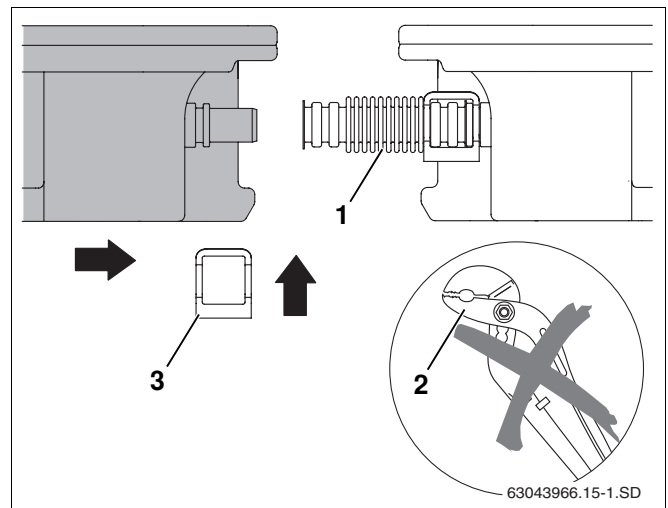


Fig. 25 Pushing second collector towards the first

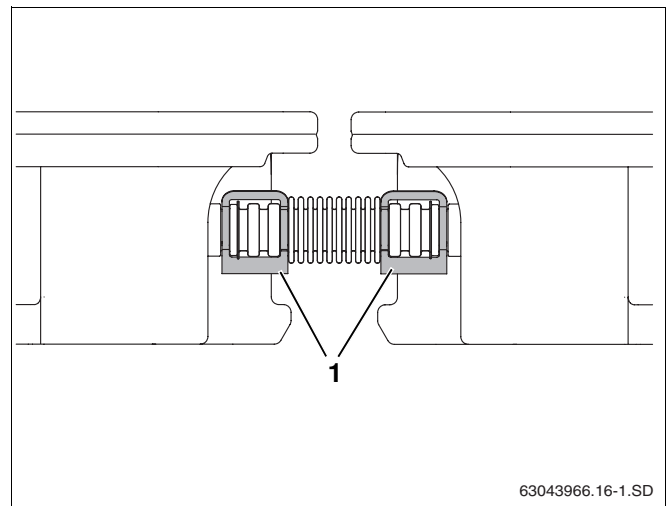


Fig. 26 Corrugated pipe connector secured with brackets



- Tighten the screw on the double-sided clamp (Fig. 27, **Item 1**). Use a size 10 socket wrench with a minimum length of 80 mm for this purpose.

The clamp now grips into the lower edges of the collector.

Repeat the procedure for all other collectors.

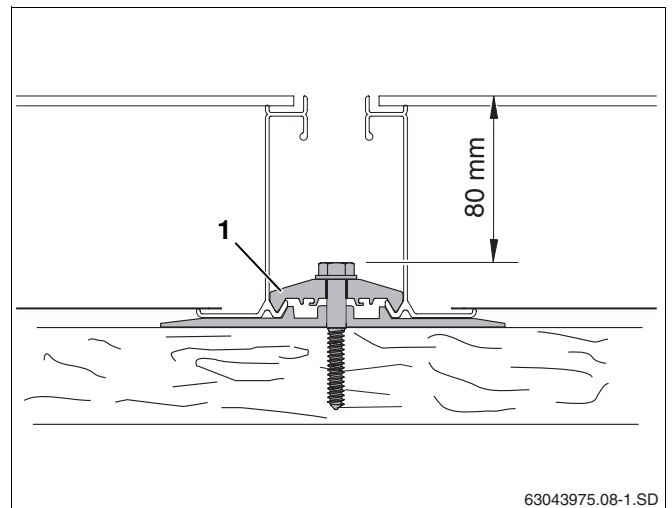


Fig. 27 Screwing in double-sided clamp

### 6.2.2 Securing the last collector

- Lift left-hand collector slightly and, on the 2<sup>nd</sup> and 3<sup>rd</sup> additional battens, as well as halfway along the collector on a free batten, push the left-hand pack plates (Fig. 28, **Item 3**) under the collector until the roof pushes against the lower edge of the collector.
- For the screw (Fig. 28, **Item 1**) drill a pilot hole with a 4 mm drill.
- Fasten the single-sided clamps (Fig. 28, **Item 2**) with a 6x40 screw (Fig. 28, **Item 1**) and washer (use size 10 spanner).

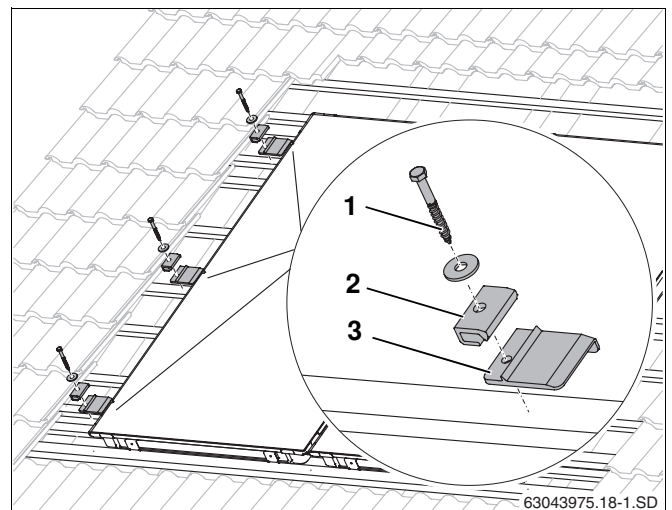


Fig. 28 Fitting the left-hand clamps

### 6.2.3 Installing more than one row

If you intend to install more than one collector array, one above the other, anti-slip protection devices must be fitted for the upper collectors.



#### USER NOTE

For the landscape version, 3 anti-slip protection devices must also be fitted 700 mm apart, halfway along the collector.

- Put two anti-slip protection devices (Fig. 29, **Item 1**) per collector, halfway along (700 mm apart) over the lower collector onto the fourth additional batten on the lower row, and fasten with two 4x40 screws.
- Allow the collectors in the upper row (Fig. 29, **Item 2**) to slide against the anti-slip protection devices and align with the lower row.
- Fasten collectors as with the lower row.

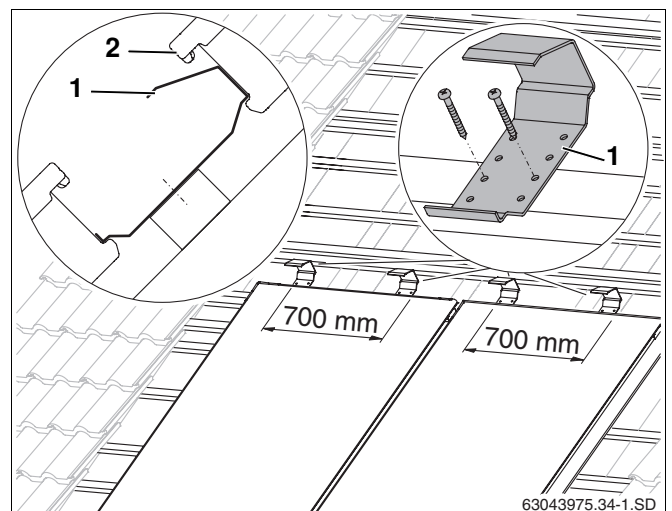


Fig. 29 Anti-slip protection devices for the second collector array

## 7 Collector sensor connection



### USER NOTE

The collector sensor is supplied with the solar controller.

Observe the installation location for single or dual row collector systems (Fig. 30).

### Insertion point

The collector sensor must be fitted in the collector nearest to the flow connection (Fig. 30, **Item 2**).

- Insertion point (Fig. 30, **Item A**) for single row collector systems.
- Insertion point (Fig. 30, **Item B**) for dual row collector systems.

### Installing the collector sensor

For perfect functioning of the solar thermal system, the collector sensor (Fig. 31, **Item 1**) needs to be inserted into the sensor guide tube as far as it will go (approx. 250 mm).

- Using the collector sensor or screwdriver, push through the sealing membrane on the sensor bush (Fig. 31, **Item 3**).
- Screw compression fitting (Fig. 31, **Item 2**) into sensor bush.
- Insert collector sensor approx. 250 mm into the sensor guide tube (as far as it will go).
- Tighten compression fitting (Fig. 31, **Item 2**), counterhold if necessary.



### USER NOTE

If you accidentally push through the sensor bush (Fig. 31, **Item 3**) on the wrong collector, it can be resealed using the plug from the connection kit. You must first remove the nut in the sensor bush using the cable gland (Fig. 31, **Item 2**).

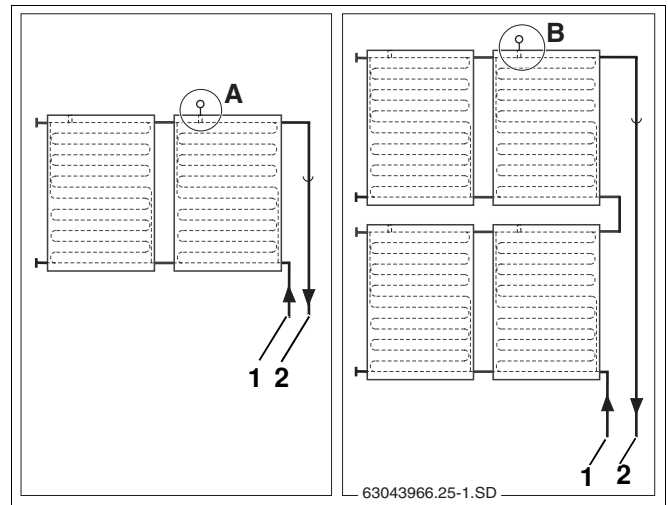


Fig. 30 Collector sensor installation location (schematic)

**Item 1:** Return line

**Item 2:** Flow line

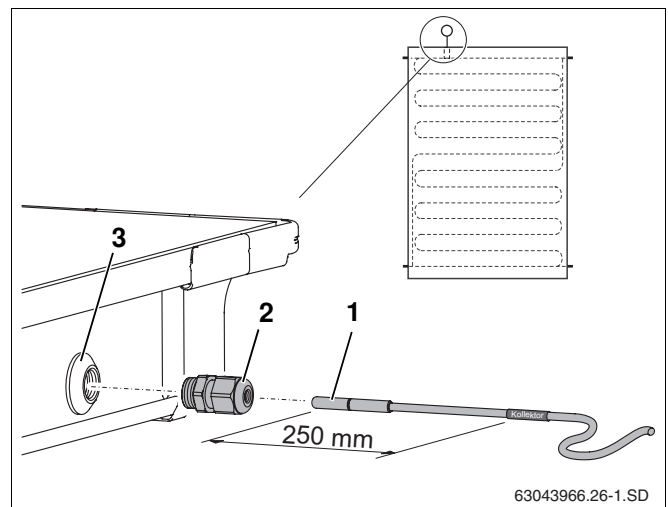


Fig. 31 Inserting the collector sensor into the collector

**Item 1:** Collector sensor

**Item 2:** Compression fitting

**Item 3:** Sensor bush

## 8 Header connection

Information on laying the header pipes can be found in the complete station installation instructions.

The water connection to the header pipes is made using the long flexible connection pipes. It is not permitted to connect a fixed header pipe directly to the collector.



### USER NOTE

Feed the sensor cable together with the flow line under the roof.

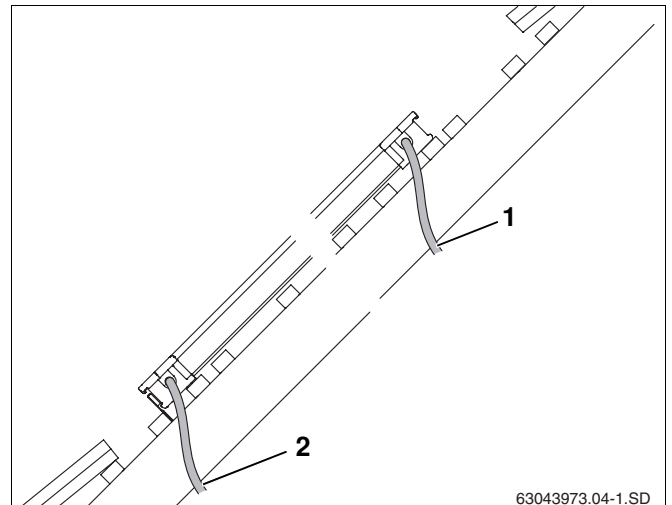


Fig. 32 Routing connection pipes under the roof

**Item 1:** Flow line

**Item 2:** Return line

### 8.1 Venting through pressure filling

If venting of the solar thermal system is carried out using a pressure filling pump, no vent is required on the roof.

- Push connection pipe (1000 mm, Fig. 33, **Item 2**) onto the flow connection on the collector array and fix in place using bracket (Fig. 33, **Item 1**).
- Feed connection pipe together with the sensor cable through the roof.
- Connect header pipe to the compression fitting (Fig. 33, **Item 3**).

Perform the same procedure with the return connection.

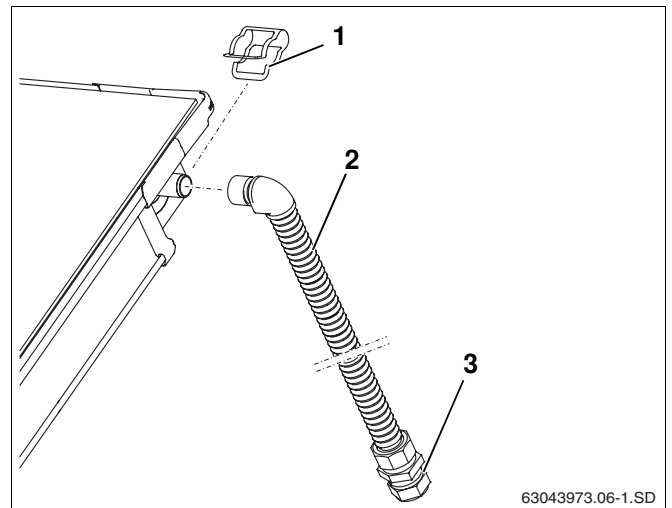


Fig. 33 Fitting flow line (with no vent on roof)

## 8.2 Venting through air vent (accessory) on roof

If you intend to vent the solar thermal system with an automatic air-vent valve (accessory) at the highest point of the system, run the flow line rising to the air-vent valve (Fig. 34, **Item 2**) and the return line rising to the collector array (Fig. 34).

Avoid frequent changes in direction.



### USER NOTE

For each change of direction downwards and each new rise, install an additional air vent.

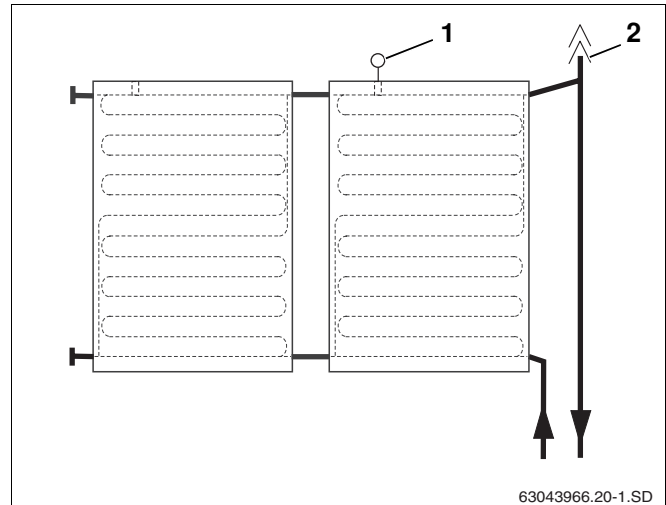


Fig. 34 View – air pot with vent valve for flow connection

**Item 1:** Collector sensor

**Item 2:** Automatic air-vent valve on roof

### Function of the weather protection cap and weather protection cap on the automatic air-vent valve

The solar thermal system is vented through the opened weather protection cap. When in operation, the weather protection cap (Fig. 35, **Item 1**) must always be positioned over the weather protection cap to prevent moisture entering the solar thermal system through the opened weather protection cap.

Open the air-vent valve by unscrewing the weather protection cap one full revolution.

### Universal air-vent set (Fig. 35):

<b>Item 1:</b>	Weather protection cap (weather protection cap)	1 ×
<b>Item 2:</b>	Automatic air vent	1 ×
<b>Item 3:</b>	Ball valve	1 ×
<b>Item 4:</b>	Gasket	1 ×
<b>Item 5:</b>	Vent pot	1 ×
<b>Item 6:</b>	Double threaded fitting threaded fitting with O-ring	1 ×
<b>Item 7:</b>	Threaded fitting R $\frac{3}{4}$ (not required here)	1 ×
<b>Item 8:</b>	Union nut (not required here)	2 ×
<b>Item 9:</b>	Gasket (not required here)	1 ×
<b>Item 10:</b>	Large diameter washer (not required here)	1 ×
<b>Item 11:</b>	Clamping disc (not required here)	1 ×



### USER NOTE

The air vent set is designed for fitting the vent directly to the collector or under the roof. However with in-roof collectors the airvent must be fitted under the roof.

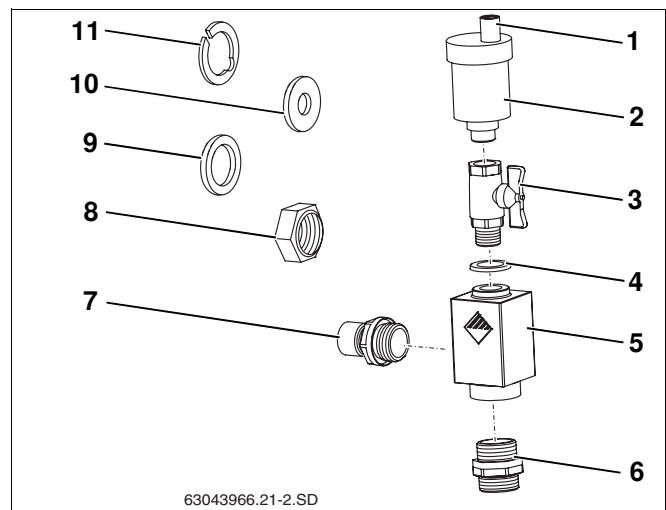


Fig. 35 Universal air-vent set

### 8.2.1 Fitting the air vent valve under the roof

- Push connection pipe (Fig. 36, **Item 3**) onto the flow connection on the collector array and fix in place using bracket (Fig. 36, **Item 5**).
- Feed connection pipe together with the sensor cable through the de-airing tile (Fig. 36, **Item 4**) and through the roof insulation.

Perform the same procedure with the return connection.

- Remove nut and compression fitting from connection pipe.
- Firmly screw connection pipe (Fig. 36, **Item 3**) and double threaded fitting (Fig. 36, **Item 1**) into air pot (O-ring gasket).
- Connect header pipe to double threaded fitting with compression fitting (Fig. 36, **Item 1**).

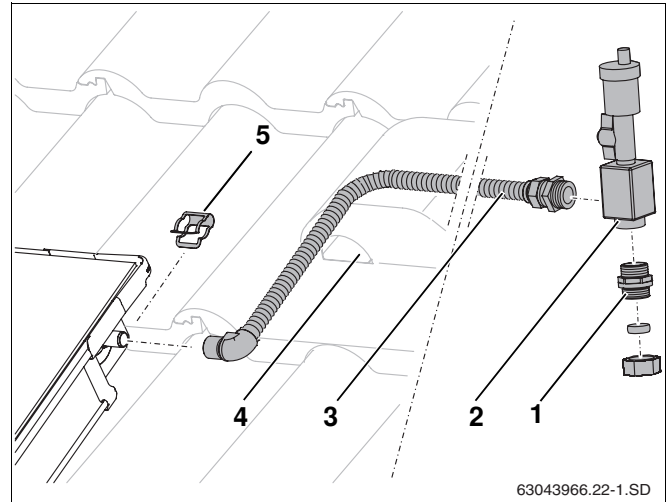


Fig. 36 Fitting the air vent valve under the roof

**Item 1:** Double threaded fitting with O-ring

**Item 2:** Air pot

**Item 3:** Connection pipe

**Item 4:** De-airing tile

**Item 5:** Bracket

## 9 Fitting the connection set for two rows (accessory)

The connection set (Fig. 37, **Item 9**) is available as an accessory, and connects two rows of collectors.



### USER NOTE

Fit as many connection parts as possible to the collectors on the ground. This makes installation on the roof easier.

### Scope of supply (Fig. 37)

<b>Item 1:</b>	End cap	2 x
<b>Item 2:</b>	Connection pipe	1 x
<b>Item 3:</b>	Bracket	1 x
<b>Item 4:</b>	Gasket	1 x
<b>Item 5:</b>	Large diameter washer	1 x
<b>Item 6:</b>	Clamping disc	1 x
<b>Item 7:</b>	Olive	2 x
<b>Item 8:</b>	Nut	1 x

### Fitting additional locking caps

Use the end caps to close up any collector connections not in use (Fig. 37, **Item 1**, see Chapter 6.1.2 "Fitting the end cap", page 22).

### Shortening the connection pipe

- Using a pipe cutter, cut the connection pipe 215 mm from the middle of the bend (Fig. 38, **Item 1**).
- Push nut over the connection pipe.
- Place clamping disc (Fig. 38, **Item 2**) behind the first rib and press together. The clamping disc must lie evenly on the collar of the union nut.
- Put large diameter washer (Fig. 38, **Item 3**) into the union nut in front of the cut surface of the connection pipe.
- Firmly screw double threaded fitting (Fig. 38, **Item 4**) into union nut, so that a flat sealing surface is created on the connection pipe.
- Remove double threaded fitting and large diameter washer and check that a flat sealing surface has been created.
- Remove any burrs as required.

### Installing the connection set

- Insert gasket (Fig. 39, **Item 2**).
- Insert pipe bend (Fig. 39, **Item 3**) into union nut, align and screw tight.
- Push connection pipe (Fig. 39, **Item 1**) onto the collector connections and fix in place using brackets (Fig. 39, **Item 4**) from the connection kit.

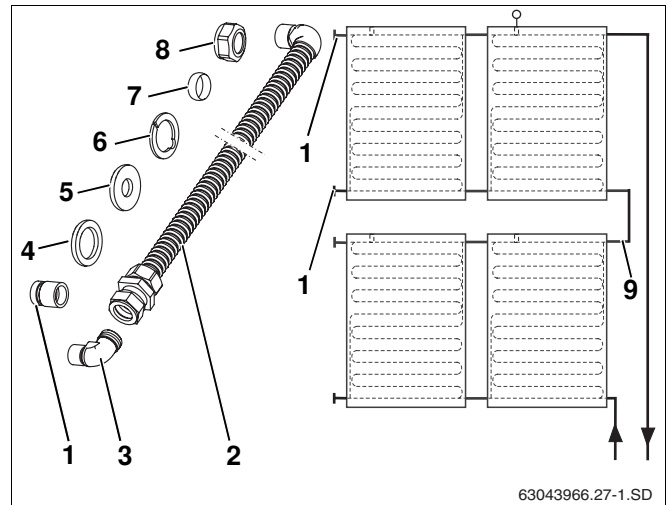


Fig. 37 Schematic diagram and scope of supply

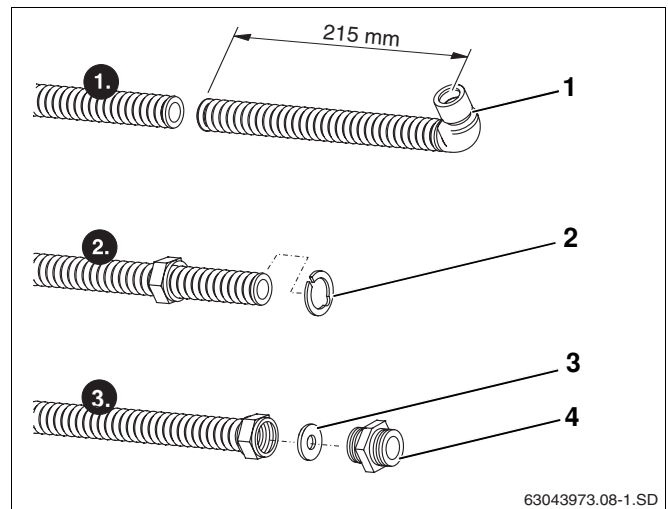


Fig. 38 Shortening the connection pipe (shown without insulation)

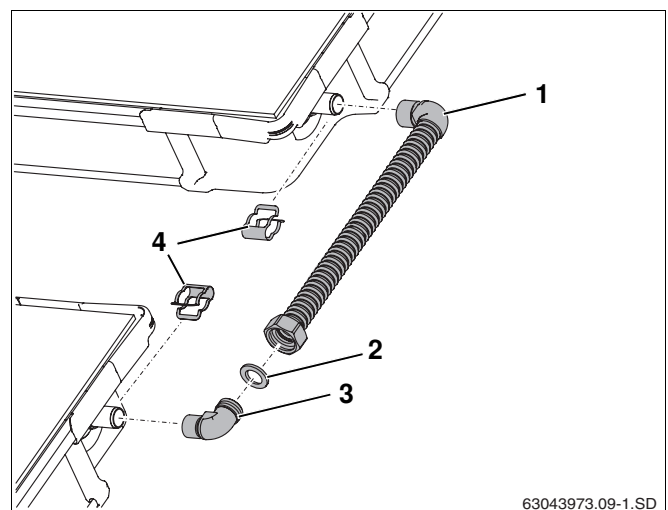


Fig. 39 Connection set between two collector rows

## 10 Installing the facing collectors

Before you block access to the collector array with the facing collectors, you must carry out the following checks:

1.	Solar hoses secured with clips?	<input type="checkbox"/>
2.	Every collector secured on the left and right with clamps?	<input type="checkbox"/>
3.	Sensor inserted as far as it will go and secured with clamped joint?	<input type="checkbox"/>
4.	Pressure test carried out and all connections leak-proof (see pump station instructions)?	<input type="checkbox"/>

To seal the collector array, facing collectors must be fitted around and between the collectors/collector arrays.



### BUILDING DAMAGE

from leaks in the roof.

**CAUTION!**

- Fit the facing collectors very carefully, so that no leaks can occur through the collector array.



### RISK OF INJURY

Like other components incorporated into the roof, the space between the collector and the pan tiles is covered with thin collectors. These can cause injuries.

**CAUTION!**

- Wear suitable gloves to protect your hands.



### USER NOTE

For horizontal installation, the lower, middle and upper facing collectors do not overlap between two collectors (Fig. 40, **Item 1**), but in the middle of a collector.

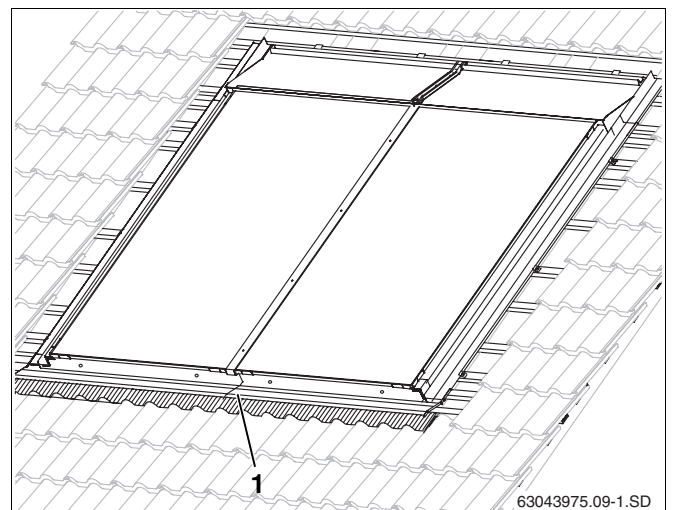


Fig. 40 Facing collectors fitted all round the edges

### 10.1 Lower facing collectors

- Bend flashing for all facing collectors towards the front (Fig. 41, **Item 2**).
- Likewise, lay the ends of the upper outer facing collectors (Fig. 41, **Item 1**) towards the front.

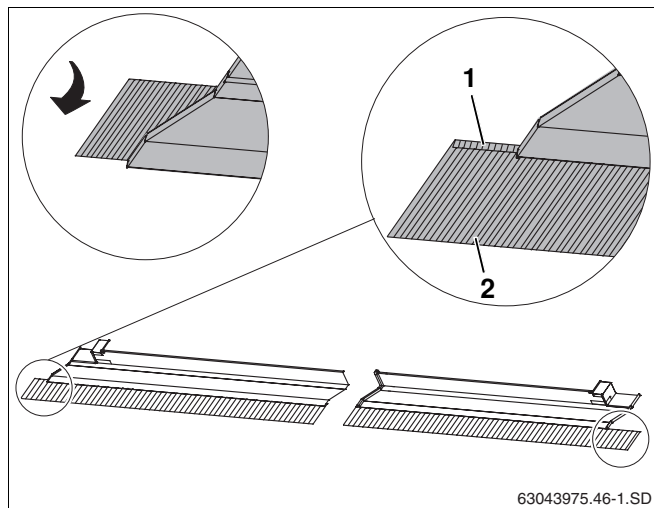


Fig. 41 Laying flashing

**CAUTION!** **BUILDING DAMAGE**

from roof leaks, if the distance between upper edge of the collector to the upper edge of the first additional roof batten is not 90–92 mm.

- You must underlay the roof batten if required.

- Insert upper edge of the right-hand facing collector into the recessed channel on the collector (Fig. 42, **Item 3**).
- Push facing collector towards the collector so that the short edge on the right (Fig. 42, **Item 1**) grips up into the recessed channel on the collector.

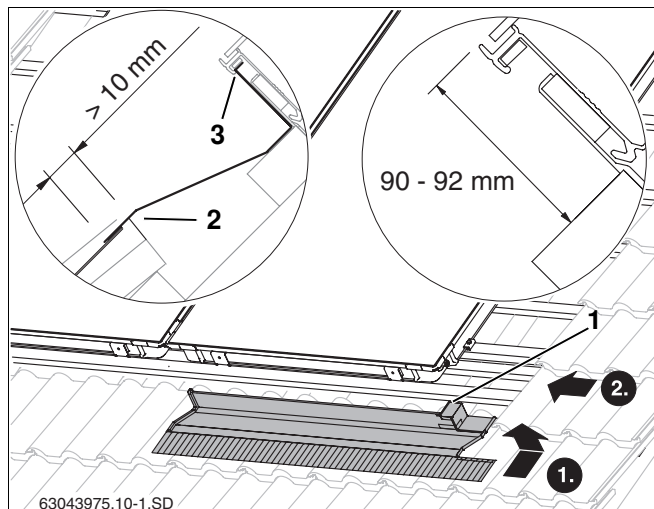


Fig. 42 Lower right facing collector

**USER NOTE**

The facing collector must overlap the pan tile by at least 10 mm (Fig. 42, **Item 2**).

**USER NOTE**

Lower middle facing collectors (Fig. 43, **Item 1**) are required for more than two portrait collectors. They must be fitted flush with the collector on their left side (arrow).

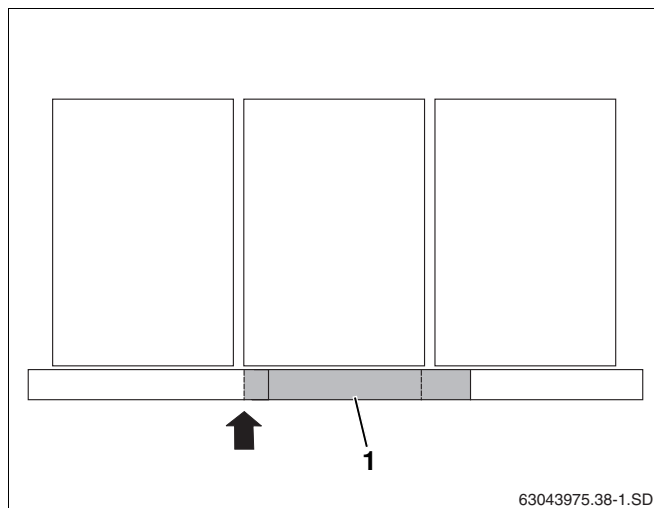
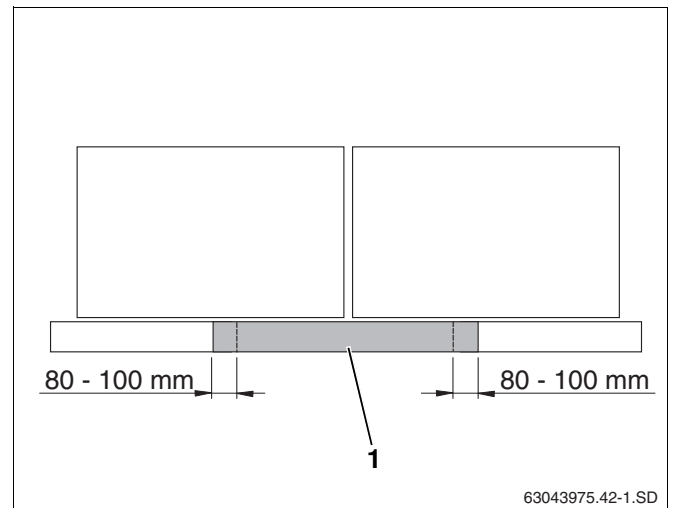


Fig. 43 Positioning the middle facing collectorcollectors for portrait collectors



**USER NOTE**

For two landscape collectors, facing collectors are necessary underneath in the middle (Fig. 44, **Item 1**). They must overlap by 80–100 mm.



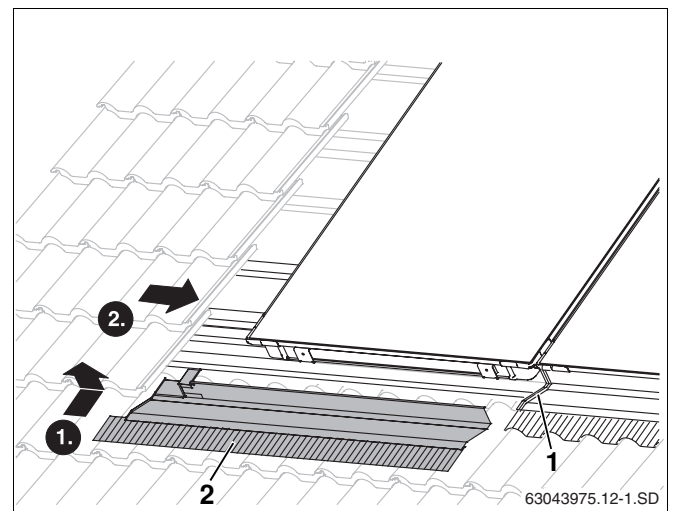
63043975.42-1.SD

Fig. 44 Positioning the middle facing collectors for landscape collectors

- Lay the left-hand facing collector (Fig. 45, **Item 2**) on the previous one, and fit in the same way as the right-hand one (Fig. 42).

**USER NOTE**

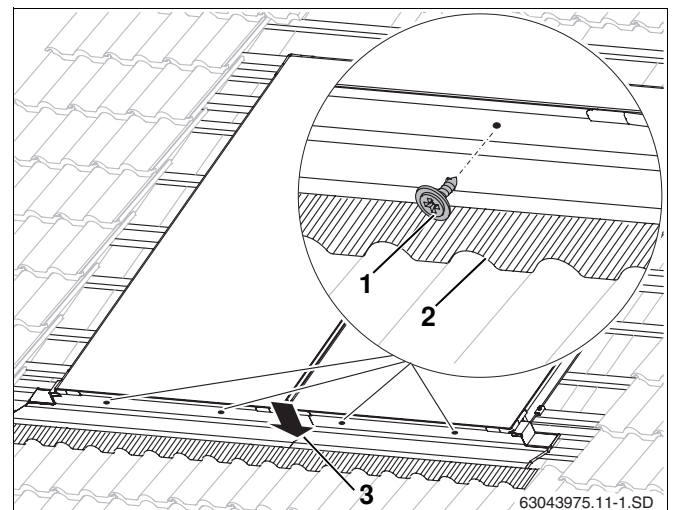
Do not remove protective film from the adhesive on the facing collectors (Fig. 45, **Item 1**) until all collectors are screwed on.



63043975.12-1.SD

Fig. 45 Fitting the left-hand lower facing collector

- Fasten the collectors with screws (12 mm long, Fig. 46, **Pos. 1**) and sealing discs in the centre punch marked on the collector.
- Remove protective film from the adhesive on the facing collectors.
- Press the upper facing collector down onto the lower one (Fig. 46, **Item 3**).
- Remove protective film from the back of the flashing.
- Carefully adjust flashing in the area in front of the roof tile contour (Fig. 46, **Item 2**).



63043975.11-1.SD

Fig. 46 Fastening the lower collectors

## 10.2 Side facing collectors



### BUILDING DAMAGE

from leaks in the roof.

#### CAUTION!

- Place the mounting plates (Fig. 47, **Item 2**) into the lower edge of the collector.

- Place the edge of the right and left side facing collectors (Fig. 47, **Item 1**) up into the recessed grip on the collector and push in over the lower facing collector.
- Press the fold overlap on both collectors together to fix in place (Fig. 47, **Item 3**).

The side facing collectors must be fastened to the roof battens using three clips on each side, right and left (two clips for landscape version).

- Insert clip (Fig. 48, **Item 1**) into the edge of the side facing collector.
- Push clip with facing collector towards collector, so that the facing collector is pressed against the collector.
- Fasten clip with nail provided.

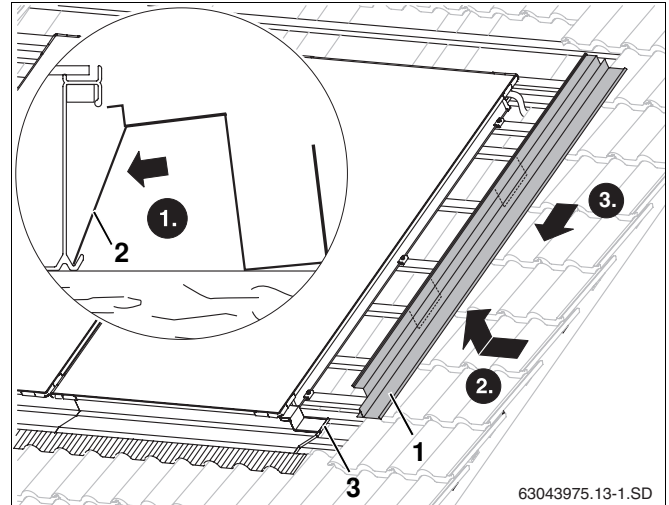


Fig. 47 Fitting the side facing collector on the right

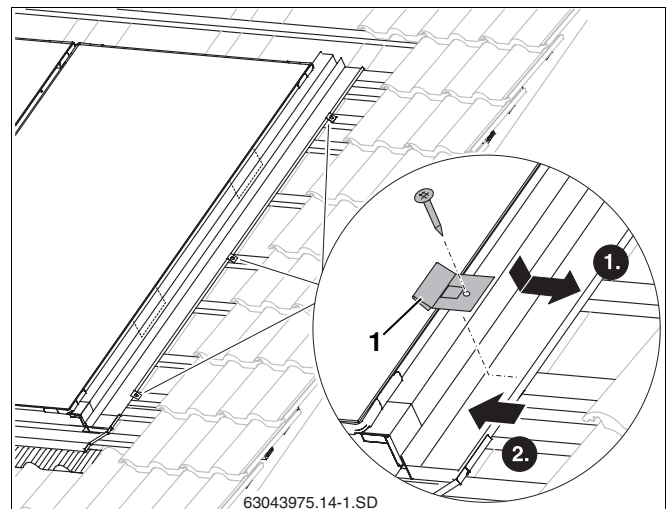


Fig. 48 Securing side facing collector

## 10.3 Middle cover strip between two collectors

The middle cover strip seals the gap between two collectors.

- Press cover strip (Fig. 49, **Item 1**) with the folded edge facing downwards into the gap between the two collectors and make sure it is centrally positioned.
- Using size 8 spanner, tighten screws (Fig. 49, **Item 2**) by hand, beginning at the bottom.

The profile is clamped to the collector frame.

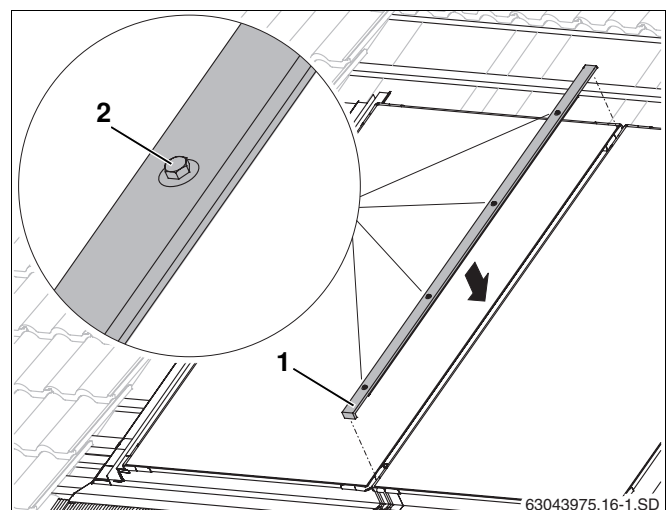


Fig. 49 Middle cover strip

### 10.4 Middle facing collector (when more than one row is being installed)

The space between two collector arrays is sealed with the middle facing collectors.

- Insert the upward fold on the facing collector (Fig. 50, **Item 2**) into the recessed grip on the collector frame.
- Feed facing collector (Fig. 50, **Item 1**) towards the collector and into the side facing collector on the right.
- By applying pressure to the top of the facing collector, it clicks under the recessed channel on the collector frame (Fig. 50, **Item 3**).
- Place the rubber lip (Fig. 50, **Item 4**) on top of the collector.
- Remove protective film from the adhesive on the facing collectors.



#### USER NOTE

If fitting more than two collectors, you will need facing collectors in the middle (Fig. 51, **Item 1**), between the collector arrays. They must be fitted flush with the collector on their left side (arrow).

For landscape installation, the middle collectors must overlap 80–100 mm.

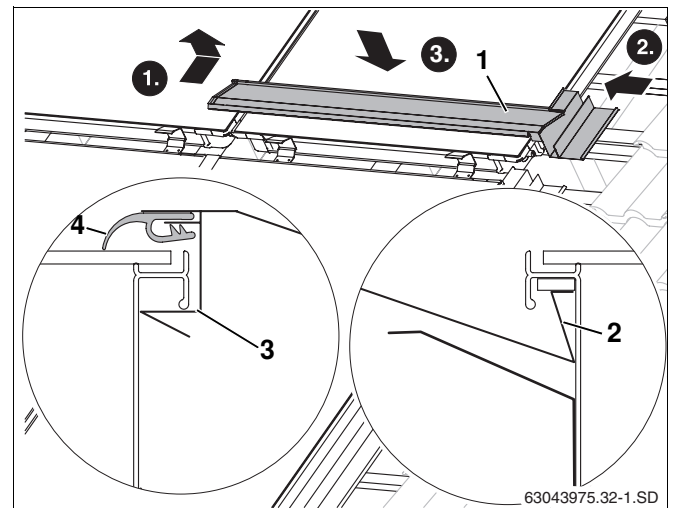


Fig. 50 Inserting first middle facing collector

**Item 1:** Middle right facing collector

**Item 2:** Upward fold on the facing collector

**Item 3:** Anti-slip protection

**Item 4:** Rubber lip

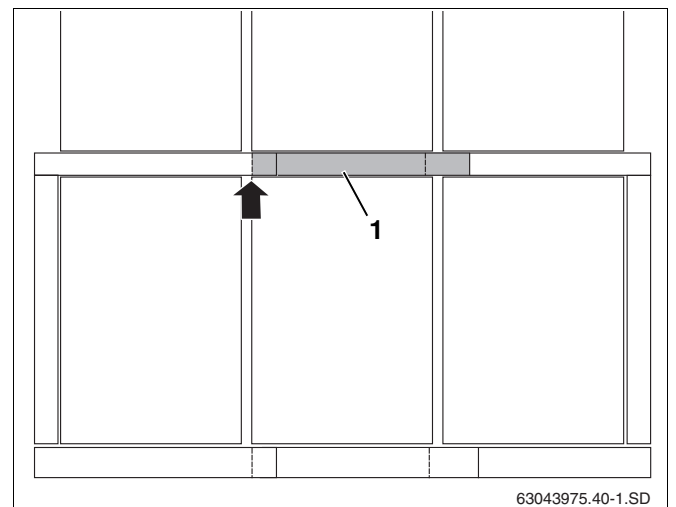


Fig. 51 Positioning the middle facing collectors

- Insert upward fold on the left-hand facing collector (Fig. 52, **Item 1**) into the recessed channel on the collector frame, just as was done with the right-hand facing collector.
- Feed facing collector towards the collector and into the side facing collector on the left.
- By applying pressure to the top of the facing collector, it clicks under the recessed channel on the collector frame (Fig. 50, **Item 3**).
- Shorten the rubber lip (Fig. 52, **Item 3**), so that it touches the rubber lip on the right-hand facing collector.
- Place rubber lip on the left-hand facing collector onto the fold on the right-hand facing collector (Fig. 52, **Item 2**).
- Press the upper facing collector down onto the lower one.

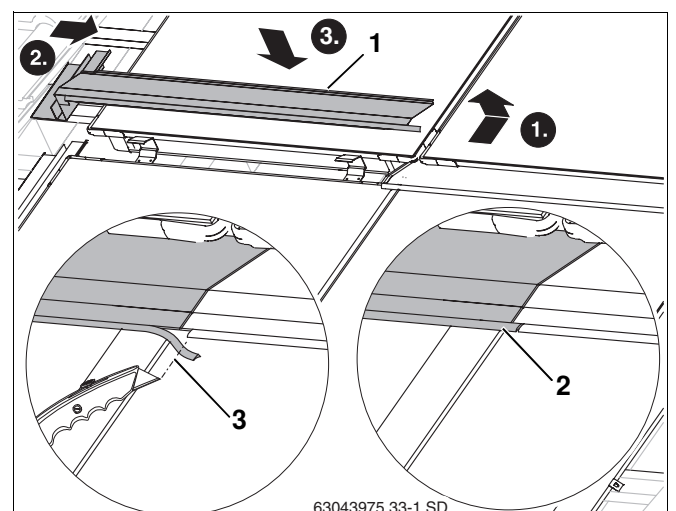


Fig. 52 Laying middle-left facing collector in place

### 10.5 Side facing collectors on the upper row (if installing more than one row)

- Fit the upper side facing collectors (Fig. 53, **Item 1**) in the same way as the lower ones (Chapter 10.2 "Side facing collectors").



#### BUILDING DAMAGE

from leaks in the roof.

#### CAUTION!

- Push the side facing collectors over the collector fold in the middle collectors (Fig. 53, **Item 2**).

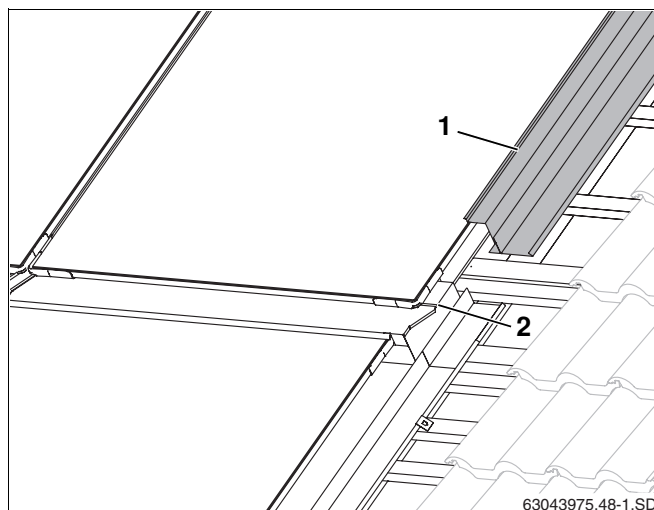


Fig. 53 Upper right facing collector

### 10.6 Upper facing collectors

Begin on the right when fitting the upper facing collector.

- Feed the upper right facing collector (Fig. 54, **Item 1**) into the side facing collector on the right.
- By applying pressure to the top of the facing collector, it clicks under the recessed channel on the collector frame (Fig. 54, **Item 3**).
- Place the rubber lip (Fig. 54, **Item 2**) on top of the collector.

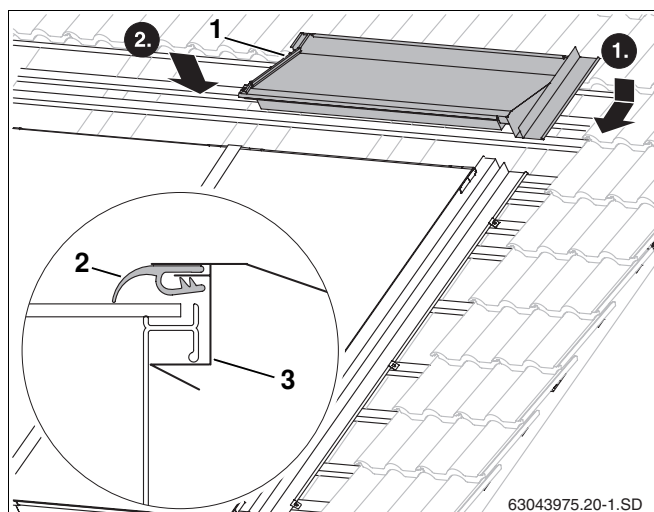


Fig. 54 Upper right facing collector

- Feed collector fold on remaining upper facing collectors (Fig. 55, **Item 2**) into the fitted facing collector and then push towards the collector.
- Feed the upper left facing collector (Fig. 55, **Item 1**) into the side facing collector on the left.
- By applying pressure to the top of the facing collector, it clicks under the recessed channel on the collector frame (Fig. 54, **Item 3**).

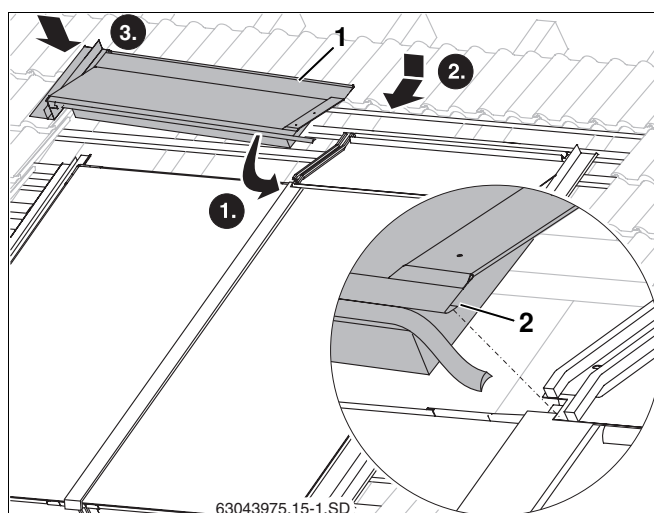


Fig. 55 Upper left facing collector

- Shorten the rubber lip (Fig. 56, **Item 2**), so that it touches the rubber lip on the right-hand facing collector.
- Place rubber lip on the left-hand facing collector onto the fold on the right-hand facing collector (Fig. 56, **Item 1**).

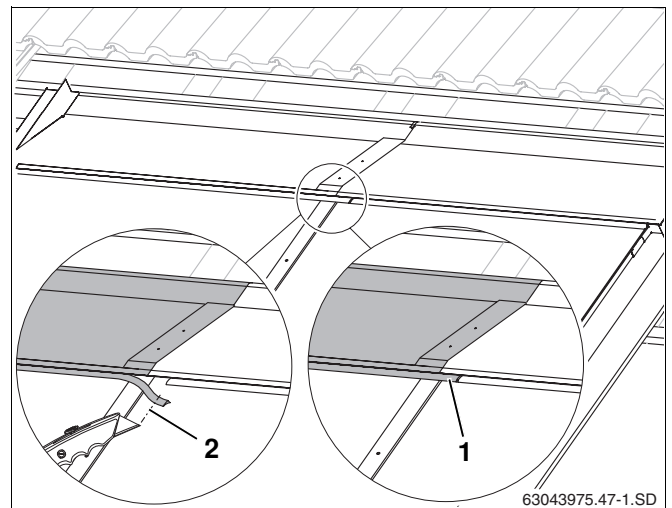


Fig. 56 Upper left facing collector

- Fasten each collector overlap with two 25 mm long plumbing screws (Fig. 57, **Item 1**) (provided).

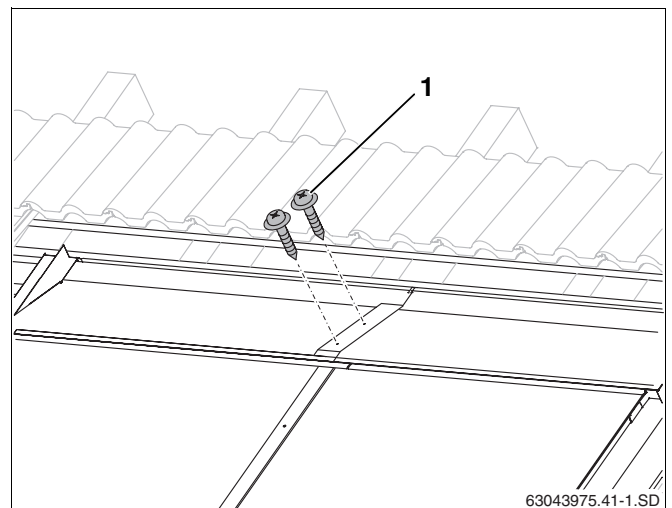


Fig. 57 Joining upper facing collectors with screws

Each upper facing collector must be fastened to the roof battens with two clips. In addition, each outer facing collector must be fixed in place with one clip.

- Insert clip (Fig. 58, **Item 1**) into the edge of the facing collector.
- Push clip with facing collector towards collector, so that the facing collector is pressed against the collector.
- Fasten clip with nail provided.

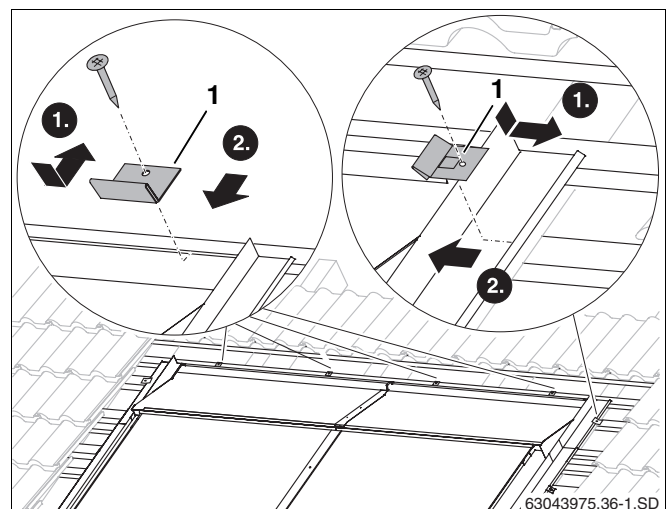


Fig. 58 Fastening upper facing collectors with clips

## 10.7 Covering the roof



### USER NOTE

Fasten cut pan tiles with suitable brackets if necessary (available from a roofing specialist).



CAUTION!

### BUILDING DAMAGE

from roof leaks if pan tiles are not placed far enough over the facing collectors.

#### 10.7.1 Upper pan tiles

- Place one whole pan tile on top of the upper facing collector.
- Cut the pan tile so that:
  - it covers the facing collector (Fig. 59, **Item 2**) as much as possible, but does not come into contact with it, and
  - the cut pan tile is lying at the same angle as the uncut pan tiles (this ensures that the pan tile cross-section is continuous and regular). You can adjust the angle using the pan tile overlay.
- Place the pan tile overlay (Fig. 59, **Item 1**) according to the calculated position and fasten to the roof batten.
- Lay the cut pan tiles (Fig. 59, **Item 3**).

#### 10.7.2 Side pan tiles

- Cut pan tiles to dim. X (Table 5, page 15) and lay.

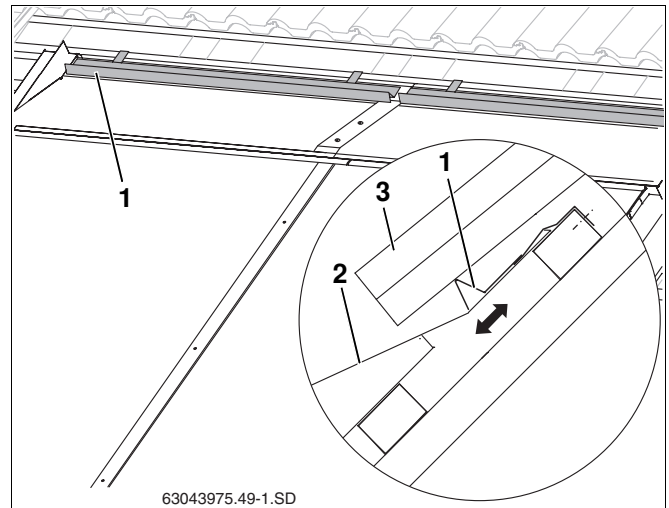


Fig. 59 Laying and securing the pan tile overlay

**Item 1:** Pan tile overlay

**Item 2:** Cut pan tile

**Item 3:** Upper facing collector

## 11 Final activities



### USER NOTE

If you are venting the solar thermal system with an automatic air-vent valve (accessory), you must close the ball valve after the venting procedure (see pump station installation instructions).

### 11.1 Checking the installation

In addition to the checks on page 31, you must check the following:

- Are all collector and roof cover joints snow and rain proof?

### 11.2 Insulating the connection and header pipes

#### Insulation of header pipes

- For the insulation of internal pipework, use only high temperature resistant insulating materials.

## 12 Quick reference guide for two collectors

These instructions are only intended as an overview of the work to be carried out. You **MUST** follow the detailed descriptions for the work on the pages mentioned, and obey all safety and user instructions.

### Roof preparations

1. Mark dim. X on the roof. p. 15
2. Installation of anti-slip protection devices p. 17
3. Attach additional roof battens to the roof. p. 17

### Preparing to install the collectors

4. Push locking caps onto those connections that are not required and secure using clips. p. 22
5. Insert sealing tape into the recessed channel on the collector frame (at the bottom, and on the outside edges of the collector array). p. 22

### Fastening the collectors

6. Allow first collector (right) to slide into the anti-slip protection devices, 80 mm from the pan tiles. p. 23
7. Push underlay plates under the collector and drill pilot hole for a screw. p. 23
8. Fasten clamp with screw and washer. p. 23
9. Drill hole for the double-sided clamp on the left collector side (between two collectors). p. 23
10. Push underlay plate under collector and screw in the double-sided clamp a little. p. 23
11. Push corrugated pipe connectors onto the connections on the first collector and secure with clips. p. 23
12. Push second collector towards the first and fit second clip. p. 24
13. Tighten screws on the double-sided clamp. p. 25
14. Fit one-sided clamps on the left p. 25

### Header connection

15. Insert collector sensor as far as it will go into the collector with the flow line to be connected, and screw tight. p. 26
16. Push connection pipes onto flow and return connections and secure with clips. p. 27
17. Feed flow connection pipe together with sensor cable through de-airing tile and roof insulation. p. 27
18. Perform installation checks. p. 31

### Installing the facing collector

19. Insert lower facing collectors from right to left and fasten with plumbing screws. p. 32
20. Insert side collectors and fix in place with clips. p. 34
21. Latch cover strip between collectors and tighten screws by hand. p. 34
22. Insert upper facing collectors from right to left, cut rubber lip and insert into right-hand facing collector. p. 36
23. Fasten upper facing collectors with clips and fix to the overlaps with screws. p. 37
24. Fit pan tile overlay and cut pan tiles to size. p. 38

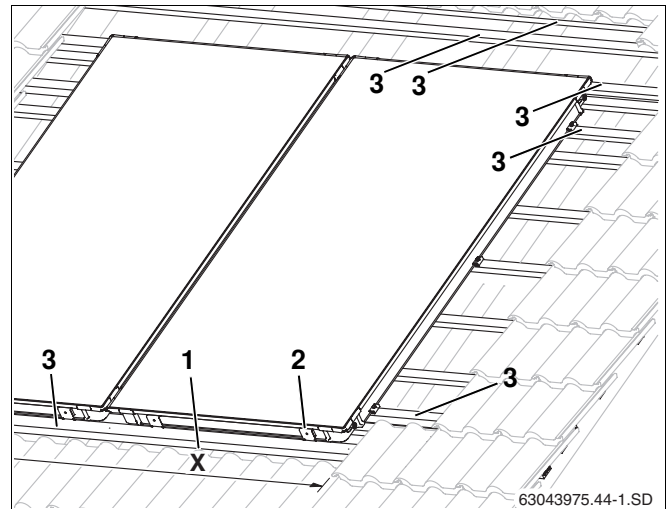


Fig. 60 Roof preparations

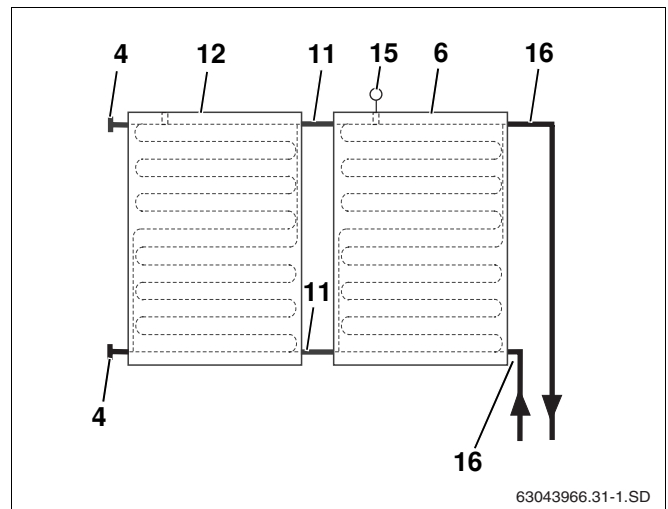


Fig. 61 Pipework connections

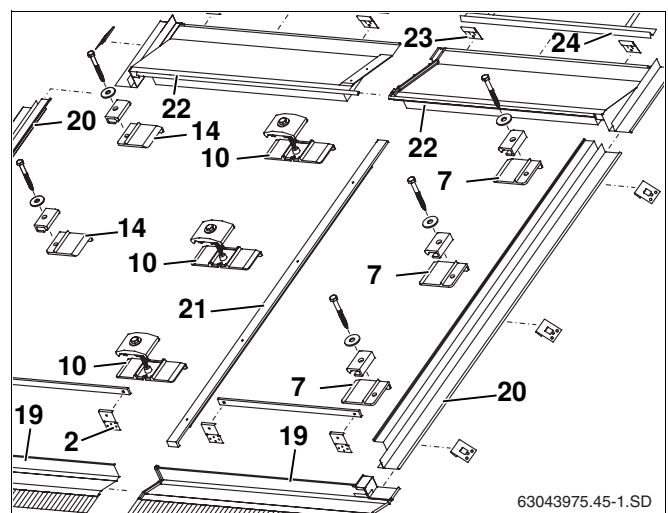


Fig. 62 Fastening and covering two collectors









Buderus  
Cotswold Way, Warndon, Worcester WR4 9SW  
Customer service: 0870 421 5933  
Technical support: 0870 421 5944  
Fax: 01905 753130  
[www.buderus.co.uk](http://www.buderus.co.uk)

In the UK and IE, Buderus is a brand name of  
Bosch Thermotechnology Ltd.

**Buderus**